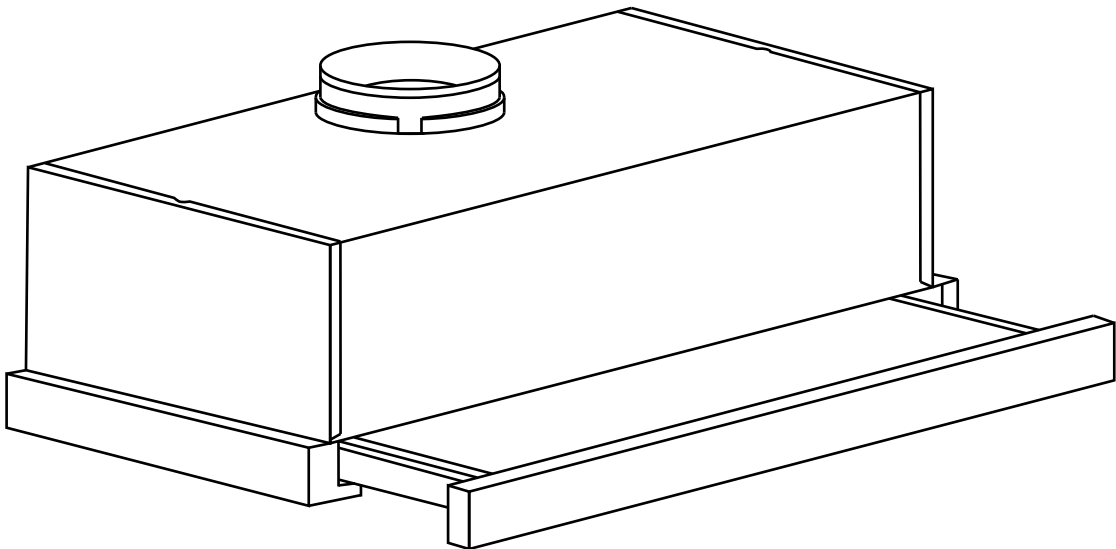


# SALINI

---

## RETRACTABLE RANGEHOOD **Instruction Manual**



**SRR-6222W**

[WWW.SALINI.COM.AU](http://WWW.SALINI.COM.AU)

# TABLE OF CONTENTS

Important safety information	2-3
Installation	4-5
Using your appliance	6
Cleaning and maintenance	7-8
Troubleshooting	9
Technical data	10
Declaration of conformity	11

## IMPORTANT:

This User Instruction Manual contains important information, including safety & installation points, which will enable you to get the most out of your appliance. Please keep it in a safe place so that it is easily available for future reference; for you or any person not familiar with the operation of the appliance.

# IMPORTANT SAFETY INFORMATION

## General Information

- Carefully read the following important information regarding installation safety and maintenance. Keep this information booklet accessible for further consultations.
- The appliance has been designed as an exhausting version (external exhaust) or as a filter version (inter air recycle) range hood.
- This appliance is designed for domestic household use and designed to be used indoors only.
- **IMPORTANT:** Your product warranty will be void if the installation is not in accordance with the instructions. The installation must be carried out by a suitably qualified person, in accordance with the with the manufacturer's instructions, and must be connected in accordance with all local electrical rules specifications.
- The use of this appliance for any other purpose or in any other environment will void warranty.
- Your new appliance is guaranteed against electrical or mechanical defects, subject to certain exclusions, the foregoing does not affect your statutory rights.
- Repairs may only be carried out by Service Engineers or an authorised service agent.
- Check the appliance for damage after unpacking it. Do not connect or install the appliance if it has been damaged in transport as this will void the warranty.

## Warning and safety instructions



### CAUTION:

Ensure there is adequate ventilation of the room when the range hood is used at the same time as appliances burning gas or other fuels. (Not applicable to appliances that only discharge the air back into the room.)

- This appliance complies with all current Australian and European safety legislation, and designed to operate safely in normal use.
- Follow the local laws applicable for external air evacuation.
- Appliance shall only be used with rated voltage and frequency.
- There is a fire risk if cleaning is not carried out in accordance with the instructions.
- Ensure adequate ventilation in the environment for the safe operation of the cooker hood.
- This appliance is not intended for use by persons (including children) with reduced physical, sensory or mental capabilities, or lack of experience and knowledge, unless they have been given supervision or instruction concerning use of the appliance by a person responsible for their safety.
- Do not check the status of the filters while the cooker hood is operating.
- Do not touch the light bulbs after appliance use.
- Do not disconnect the appliance with wet hands or force the supply cord.
- Do not have flames under the cooker hood as this damages the filters and is a fire hazard. In the instance of a gas hotplate, ensure the flames are covered by a pot to protect the range hood. Flame cooking is prohibited underneath the cooker hood.

- Disconnect the electrical plug prior to any maintenance or cleaning.
- Cleaning should be carried out in accordance with the “Cleaning and Maintenance” section to avoid possible hazards.
- If the power cord is damaged it must be replaced by the manufacturer or a qualified service engineer.
- In the event of any incident caused by a technical fault, disconnect the power and report the fault to the service centre to be repaired.
- Do not dispose of electrical appliances as unsorted municipal waste, use separate collection facilities. Contact your local government for information regarding collection systems available.



## Electrical Caution

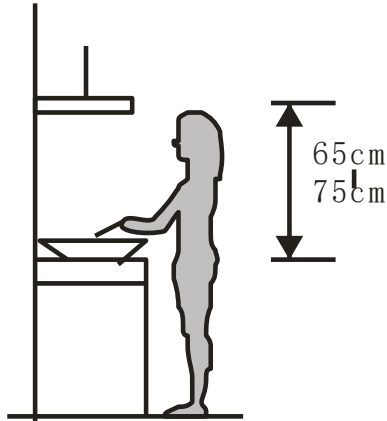


**CAUTION!** Cleaning operations must only be carried out when the range hood is cool and disconnected from the power supply.

- Any work on electric equipment and systems may only be carried out by authorised qualified persons.
- In case of any damage, switch off the appliance and disconnect it from the power supply.
- If the supply cord is damaged, it must be replaced by the manufacturer, its service agent or similarly qualified persons in order to avoid a hazard.
- **WARNING:** Ensure that the appliance is switched off before replacing the light globe to avoid the possibility of electric shock.

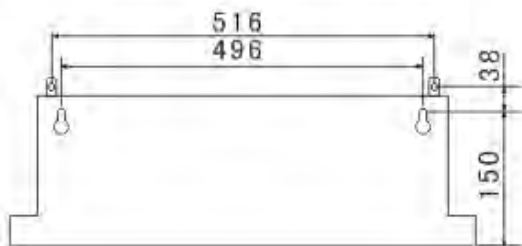
# INSTALLATION INSTRUCTIONS

The range hood should be placed at a distance of 65-75cm from the cooking surface for best effect.

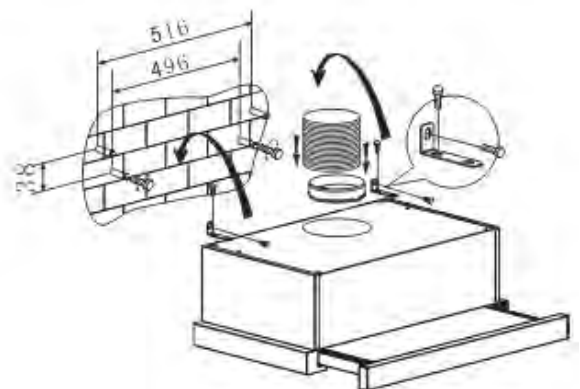


Installation Option 1: (See drawing below)

- To install onto the wall, mark and drill 4 holes of  $\text{Ø}8\text{mm}$  according to the dimensions on the diagram. Measurements are taken from the centre of the holes in the back of the range hood.
- Insert the wall plugs into the holes in the wall.
- Insert the screws into the wall plugs and tighten the screws.
- Install the range hood onto the fixed screws.
- Put the air outlet and extendable pipe onto the range hood. (the extendable pipe is optional not supplied)

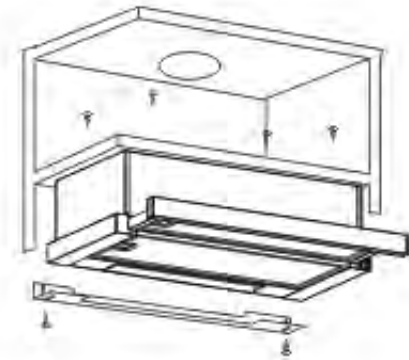
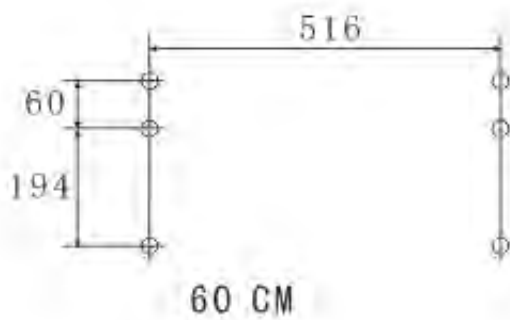


60CM




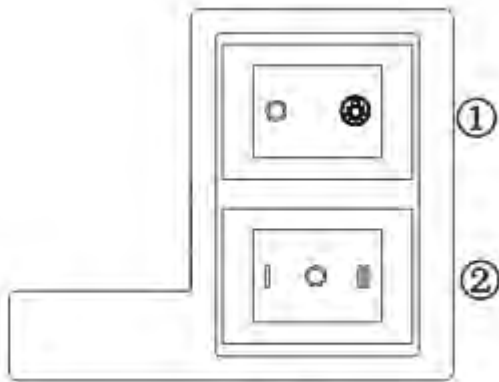
Installation Option 2: (See drawing below)

- Drill 6 holes of 4mm diameter at the bottom of the hanging cupboard according to the dimensions in the diagram.
- Put the air outlet on the range hood, then install the range hood underneath the cupboard, tighten the hood with enclosed 6 screws.
- Install the adjusted board on the bottom of the hood in order to keep the gap between hood back and cupboard.



## USING YOUR APPLIANCE

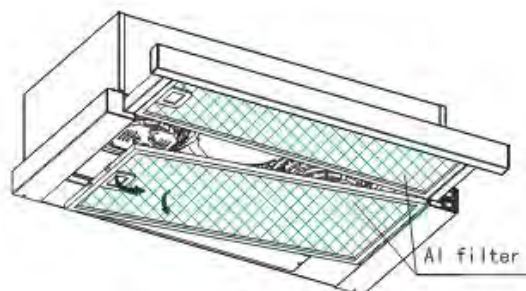
- Connect the plug into the power.
- Push the switch ① in “”, to turn the light on; push into “0”, to turn the light off.
- Push the switch ② in “I or II”, the hood has two speeds “low or high”, push into “0”, to turn the hood off.
- The cooker hood will work at low or high speed when the front panel is pulled out.



Plc 3

## CLEANING AND MAINTENANCE

- It is recommended to operate the appliance prior to cooking.
- There shall be adequate ventilation of the room when the range hood is used at the same time as appliances burning gas or other fuels. (Not applicable to appliances that only discharge the air back into the room.)
- It is recommended to leave the appliance in operation for 15 minutes after cooking is terminated in order to completely eliminate cooking vapours and odours.
- If the appliance is not being used, please turn off.
- Do not have flames under the range hood.
- **Don't use or stop use** immediately if the appliance is damaged especially the supply cord or the casing.
- If the supply cord is damaged, it must be replaced by the manufacturer, its service agent or similarly qualified persons in order to avoid a hazard.
- **Don't immerse the appliance in liquid.**
- The exhaust air must not be discharged into a flue which is used for exhausting fumes from appliances burning gas or other fuels.
- Regulations concerning the discharge of air have to be fulfilled.
- In order to prevent fire hazard, it is recommended to clean the filter at a minimum of 2 monthly by carrying out the following:
  - Unplug before cleaning, then remove the filters from the cooker hood and wash them in a solution of water and neutral liquid detergent, leaving to soak.
  - Rinse thoroughly with warm water and leave to dry.
  - The filters may also be washed in the dishwasher.
- The aluminium panels may alter in colour after several washes. This is not cause for customer complaint nor replacement of panels.

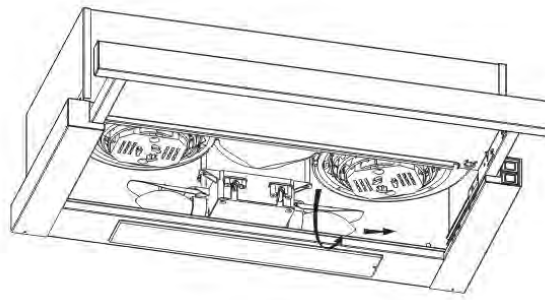


Pic 4

- Clean the surface of the cooker hood regularly using a cloth moistened with denatured alcohol or non-abrasive liquid detergent. (Do not clean the motor and inside mechanisms.)
- Replace filters approximately every 4 months.
- There is a fire risk if cleaning is not carried out in accordance with these instructions.



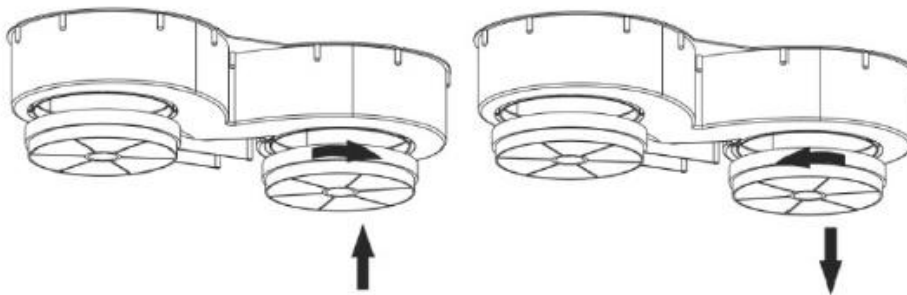
- Replace the light globe. See pic 5



Pic 5

- Carbon filter (not supplied)
- Carbon filters can be used to trap odours. Normally the activated carbon filter should be changed at three or six months according to your cooking habits. Activated carbon filters cannot be washed or recycled. The installation procedure of activated carbon filters is as below.
- Slide the front part of the cooker hood.
- In order to install the activated carbon filter, the AI anti-grease filter should be detached first. Press the lock and pull it downward.
- Put the activated carbon filter into the unit and turn it in anti-clockwise direction. Repeat the same on the other side. Put the grease filter back in position.

Note: When the activated carbon filter is installed, the suction power will be reduced.



## TROUBLESHOOTING

If you suspect that your appliance is not functioning correctly, we advise you read below troubleshooting information to help you identify and assess how to best rectify any issues.

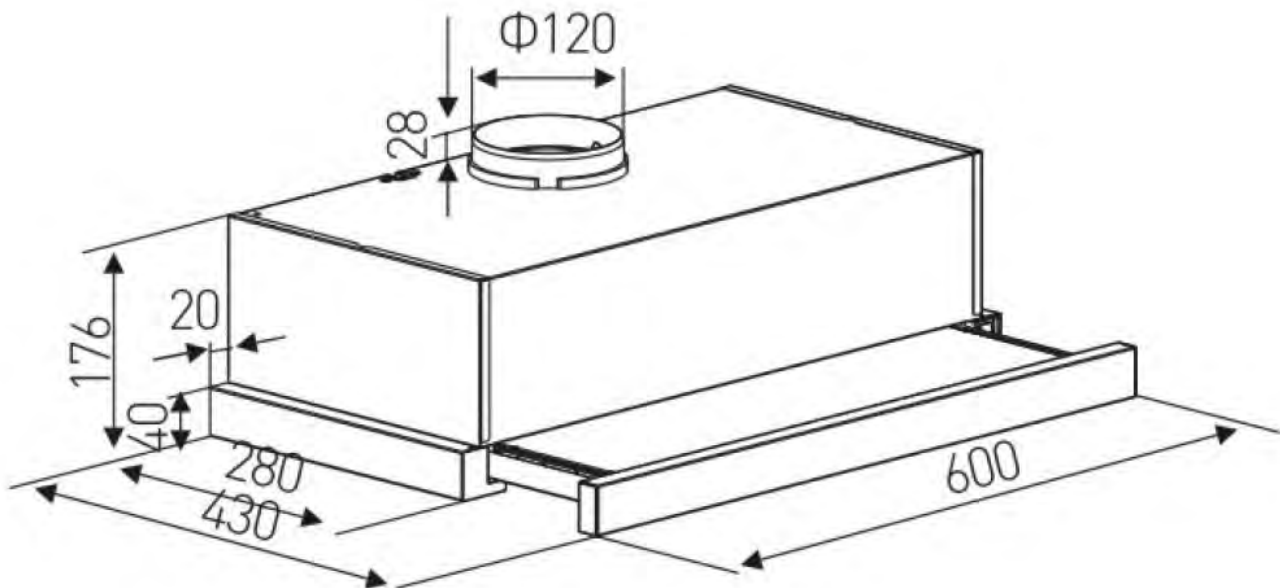
Servicing of the appliance must only be carried out by an authorised service representative and the appliance must not be modified. Power must be disconnected before any servicing or maintenance is conducted.

Problem	Possible cause	Solution
The extractor fan ceases to function.	The supply cable is not connected to the power.  There is no electrical current in the network.	Connect supply cable to the power point.  Check that there is electrical current, check the fuse box.
Insufficient suction power.	Did not set to the right speed and/or air outlet being blocked.	If the kitchen hood is set up for recirculation, check that the charcoal filter is still effective. If the kitchen hood is set up for extraction, check that the ducting and outlets are not blocked.  The kitchen is adequately vented to allow the entry of fresh air.
Hood has switched off during operation.	The safety cut-out device has been tripped.	Turn off the hood and then wait for the device to reset.  If the hood has been installed below the heights indicated in the installation instructions, the motor will cut-out frequently which may damage the hood.
The lights do not work.	The globes are burnt out. The globes are loose.	Change the light globes. Tighten the light globes.
Hood vibrates during operation.	Leaf is damaged.  The body or motor not secured properly.	Replace the leaf.  Secure the motor tightly or fix the body tightly, respectively.

# TECHNICAL DATA

## Specifications

Model	SRR-6222W
Width	600mm
Depth	280-430mm
Height/Max Height	176mm
Extraction/ Max Air Flow	440m <sup>3</sup> /h
Functions/Speed	2
Noise When Working	56 dB(A)
Rated Voltage	220-240V
Max Rated Inputs (Total power)	280W



# DECLARATION OF CONFORMITY

## Australian Standards

This product has been designed and manufactured to comply with all relevant Australian and New Zealand Standards.

AS/NZS 60335.1 General Requirements for Domestic Electrical Appliances

AS/NZS 60335.2.6 Specific Requirements for Domestic Electrical Cooking Appliances

This appliance is SAA certified

Installation of the appliance must be only be undertaken by a licenced electrician who can provide a compliance certificate.

This appliance is intended for domestic use only.