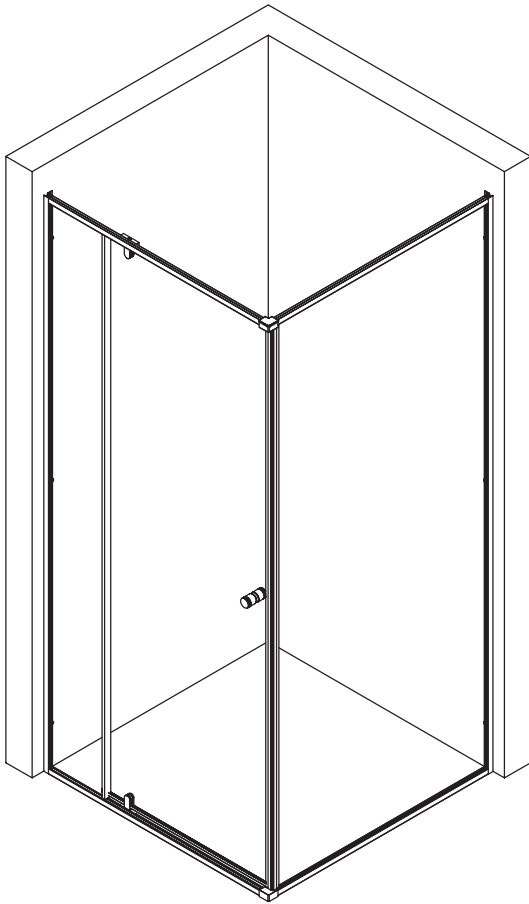


## INSTALLATION INSTRUCTIONS



Lorna Framed Shower Screen

# BEFORE YOU START



## TWO PERSON INSTALLATION

Please keep this manual and a copy of your invoice for further reference, such as for ordering replacement parts if necessary. Our contact details are on the back page.

## GENERAL INFORMATION

Read this manual carefully and completely before proceeding with installation.

This installation requires 2 people to safely handle and install the shower screen.

It is recommended that you wear safety glasses at all times during the installation.

Take care with the transportation and handling of toughened safety glass as it is designed to shatter into small pieces on impact in order to avoid injury.

## INSTALLATION

- . We recommend installation is undertaken by glazier or a trade professional as the installation is technical. For Certificate of Occupancy, it must be installed by a licenced glazier.
- . Ensure your room is fully completed (all finishes and fittings including tiles etc) and that the location of the screen is straight and plumb.
- . Silicone sealant should be used to seal the gap where the ceramic tiles meet the fixed panel. NOTE: (Caulking) No sealant is required inside the shower, unless otherwise stated.
- . Shower screen installation should comply with AS 1288 and AS 3740.

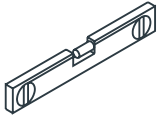
## MAINTENANCE & CARE

To clean the glass, apply ammonia-free glass cleaner or methylated spirits. Wipe in a circular motion with a clean non-abrasive lint-free cloth. Clean frame and brackets with mild soap diluted in water. Do not use solvents or harsh detergents, bleaches, scourers or any other abrasive cleaner on frame or glass. To reduce cleaning time, we recommend wiping the glass panels with a squeegee after each use. Inspect installation at six-monthly intervals to ensure gap clearances are maintained, particularly around the door. Tighten screws on hinges if required. Moving hinges may require mineral oil such as sewing machine oil to lubricate their movement.

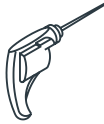


All of our products containing glass are manufactured to the Australian standards code AS 2208:1996 Safety glazing materials in buildings. In order to meet the standard that refers to its installation, and be able to receive your Certificate of Occupancy, and to maintain your product warranty; this product must be installed by a licensed glazier.

# TOOLS REQUIRED



SPIRIT LEVEL



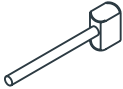
DRILL



PENCIL



SILICONE



MALLET



TAPE MEASURE



SCREW  
DRIVER



DRILL BITS  
6mm & 3mm

Required drill bits are 6mm & 3mm (1/4" & 1/8")

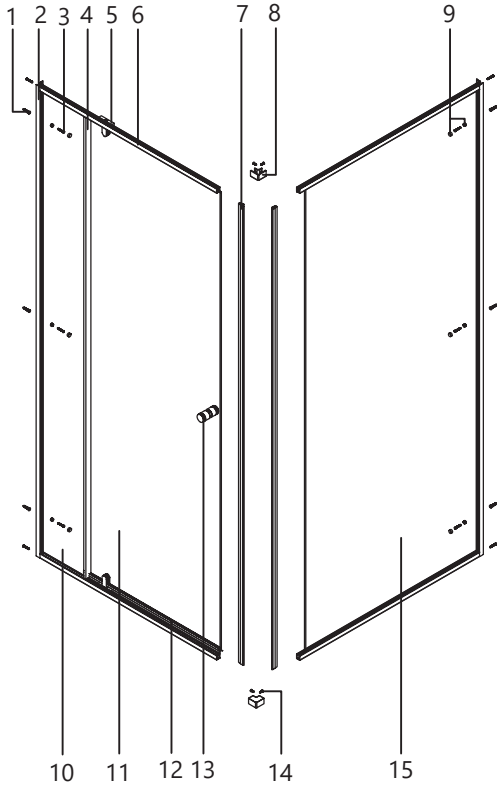
Use a 6mm (1/4") drill bit for ceramic when drilling into ceramic tiles.



SAFETY  
GLASSES

**IMPORTANT:** We recommend the use of safety glasses when installing and handling glass shower panels and screens.

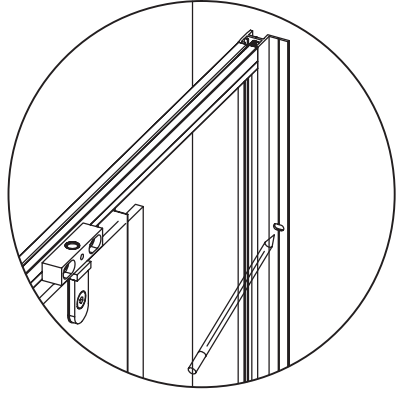
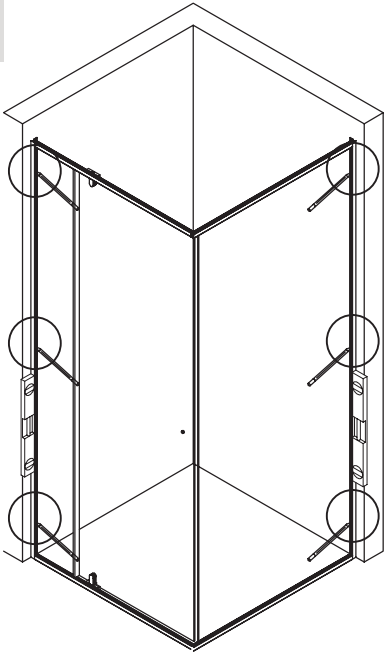
# DIAGRAM OF COMPONENTS



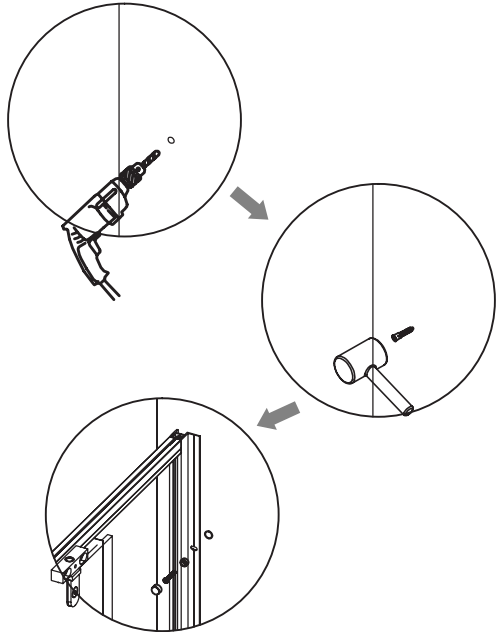
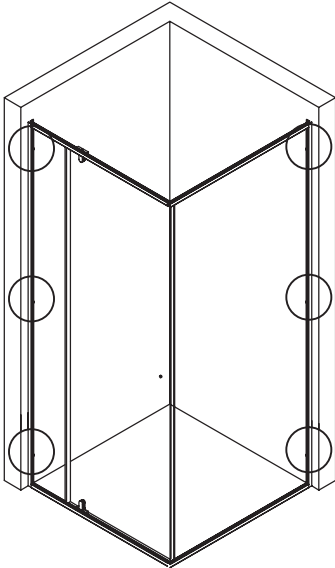
REF	DETAIL	QTY
1	Wall Plug 6mm	4
2	Wall Profile	2
3	Screw ST4 x30	10
4	Door Seal	1
5	Hinges	2
6	Guide Rail	4
7	Magnetic Strip	2
8	Decorative Cover	2

REF	DETAIL	QTY
9	Decorative Covers	6
10	Fixed Panel	1
11	Moved Glass	1
12	The Strip	1
13	Handle	1
14	Screw ST4 x10	4
15	Fixed Panel	1

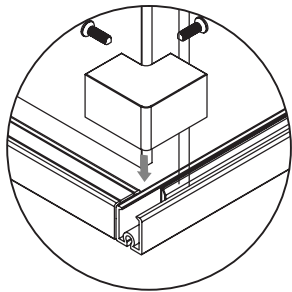
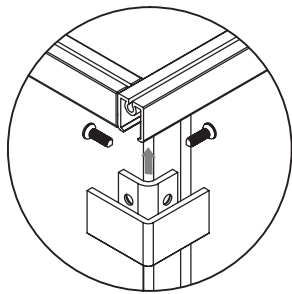
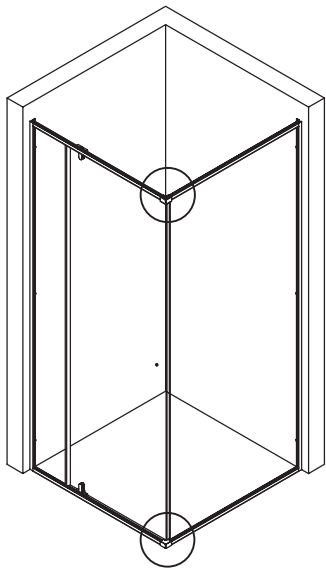
1



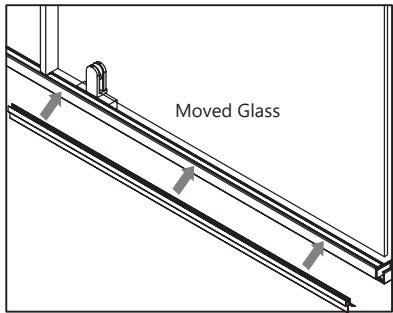
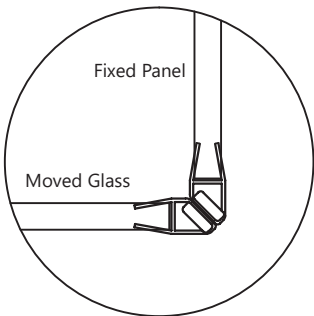
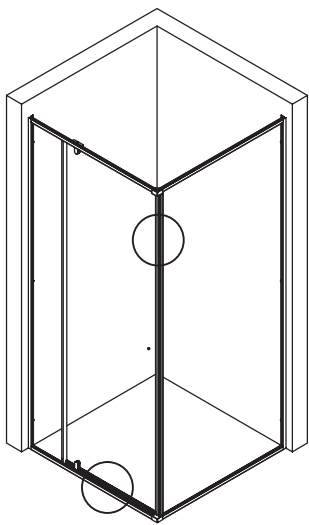
2



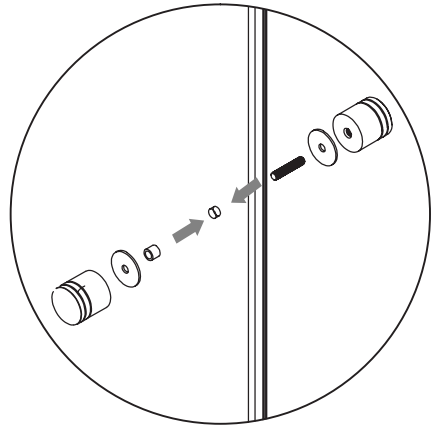
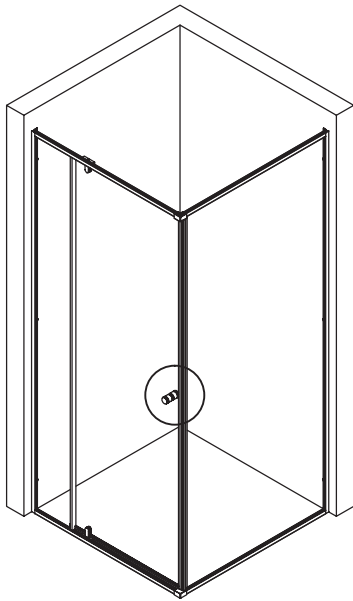
3



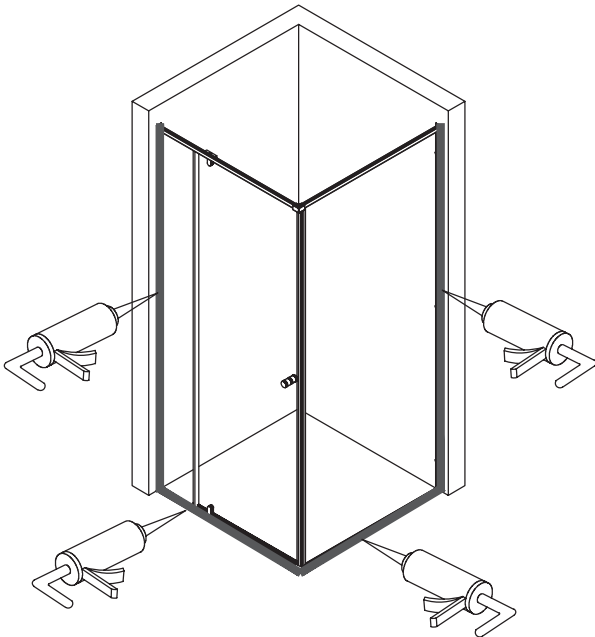
4



5



6





## CONTACT US

Feel free to contact us for more information or if you have any questions with installing this product, please contact us via:

**Call us:** 1300 884 081

**Email:** [support@fontaineind.com.au](mailto:support@fontaineind.com.au)

**[fontaineind.com.au](http://fontaineind.com.au)**