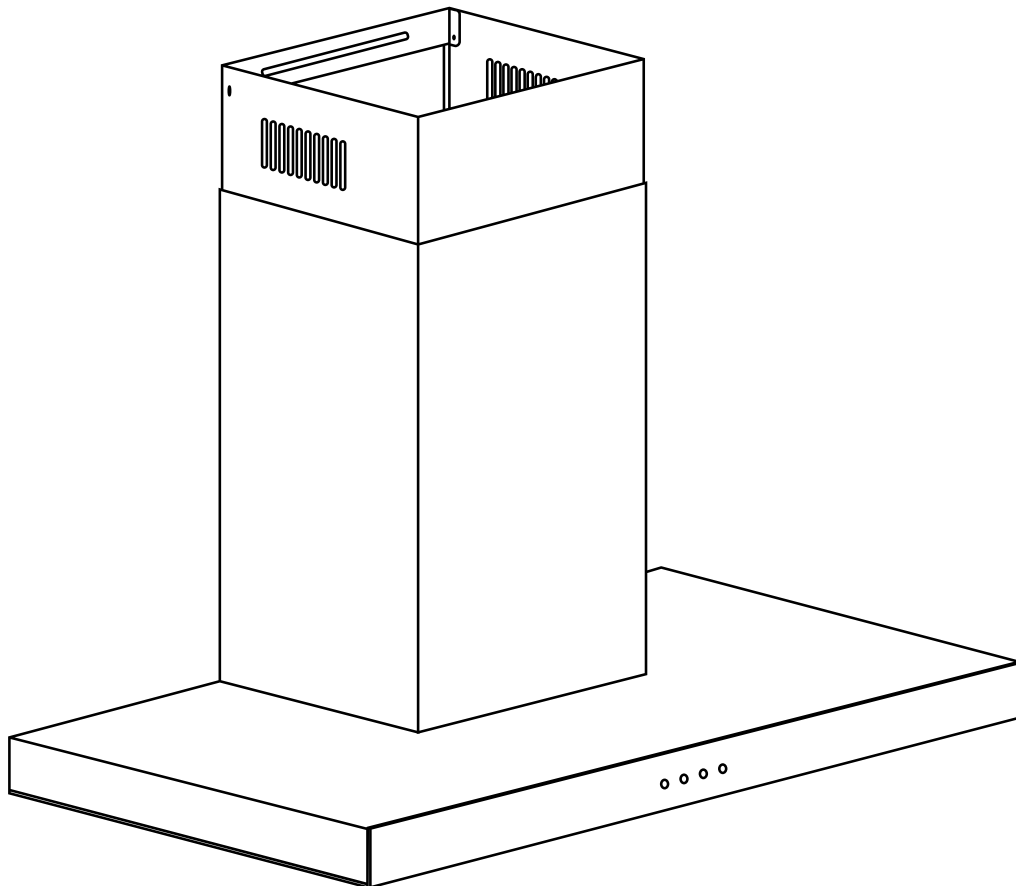


# SALINI

---

## RANGEHOOD Instruction Manual



**SRC-9535S**

[WWW.SALINI.COM.AU](http://WWW.SALINI.COM.AU)

# TABLE OF CONTENTS

Important safety information	2-3
Installation	4-5
Using your appliance	6
Cleaning and maintenance	7
Troubleshooting	8
Technical data	9
Declaration of conformity	10

## IMPORTANT:

This User Instruction Manual contains important information, including safety & installation points, which will enable you to get the most out of your appliance. Please keep it in a safe place so that it is easily available for future reference; for you or any person not familiar with the operation of the appliance.

# IMPORTANT SAFETY INFORMATION

## General Information

- Carefully read the following important information regarding installation safety and maintenance. Keep this information booklet accessible for further consultations.
- This appliance is designed for domestic household use and designed to be used indoors only.
- **IMPORTANT:** Your product warranty will be void if the installation is not in accordance with the instructions. The installation must be carried out by a suitably qualified person, **in accordance with the with the manufacturer's instructions, and must be connected in accordance with all local electrical rules specification.**
- The use of this appliance for any other purpose or in any other environment will void warranty.
- Your new appliance is guaranteed against electrical or mechanical defects, subject to certain exclusions, the foregoing does not affect your statutory rights.
- Repairs may only be carried out by Service Engineers or an authorised service agent.
- Check the appliance for damage after unpacking it. Do not connect or install the appliance if it has been damaged in transport as this will void the warranty.

## Warning and safety instructions



### CAUTION:

Ensure there is adequate ventilation of the room when the cooker hood is used at the same time as appliances burning gas or other fuels. (Not applicable to appliances that only discharge the air back into the room.)

- The range hood is used on 220/240v, 50Hz.
- This appliance complies with all current Australian and European safety legislation, and designed to operate safely in normal use.
- Follow the local laws applicable for external air evacuation.
- Appliance shall only be used with rated voltage and frequency.
- There is a fire risk if cleaning is not carried out in accordance with the instructions.
- Ensure adequate ventilation in the environment for the safe operation of the range hood.
- This appliance is not intended for use by persons (including children) with reduced physical, sensory or mental capabilities, or lack of experience and knowledge, unless they have been given supervision or instruction concerning use of the appliance by a person responsible for their safety.
- Please keep the room draughty when your cooker hood and gas hob are working.
- Do not exhaust the gas from cooker hood through the same heated flue which is for the gas from gas hob and other kitchen appliances.
- Before installation and usage, read all the instructions and make sure that the voltage (V) and the frequency (Hz) indicated on your cooker hood are exactly the same as the voltage (V) and the frequency (Hz) in your home.

- Do not check the status of the filters while the cooker hood is operating.
- The range hood and its filter mesh should be cleaned regularly in order to keep in good working order.
- Do not touch the light bulbs after appliance use.
- Do not disconnect the appliance with wet hands or force the supply cord.
- Disconnect the electrical plug prior to any maintenance or cleaning.
- **Cleaning should be carried out in accordance with the "Cleaning and Maintenance" section to avoid possible hazards.**
- If the power cord is damaged it must be replaced by the manufacturer or a qualified service engineer.
- In the event of any incident caused by a technical fault, disconnect the power and report the fault to the service centre to be repaired.
- Do not dispose of electrical appliances as unsorted municipal waste, use separate collection facilities. Contact your local government for information regarding collection systems available.



## Electrical Caution

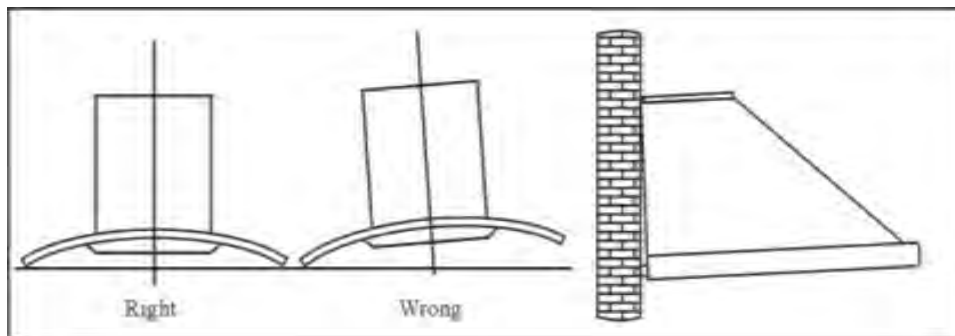


CAUTION! Cleaning operations must only be carried out when the range hood is cool and disconnected from the power supply.

- Any work on electric equipment and systems may only be carried out by authorized qualified persons.
- In case of any damage, switch off the appliance and disconnect it from the power supply
- If the supply cord is damaged, it must be replaced by the manufacturer, its service agent or similarly qualified persons in order to avoid a hazard.
- **WARNING:** Ensure that the appliance is switched off before replacing the light globe to avoid the possibility of electric shock.

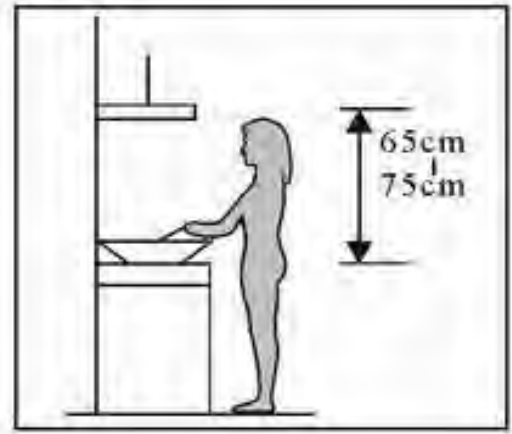
# INSTALLATION INSTRUCTIONS

- Before installation, please ensure the area is clean to avoid suction of any remaining bits of broken wood and dust.
- The range hood cannot share the same air ventilation tube with other appliances such as gas tubes, warmer tubes, and hot wind tubes.
- The bending of the ventilation tube should be  $\geq 120^\circ$ , parallel or above the start point and should be connected to the external wall.
- After installation, make sure that the extractor is level to avoid grease collection at one end.



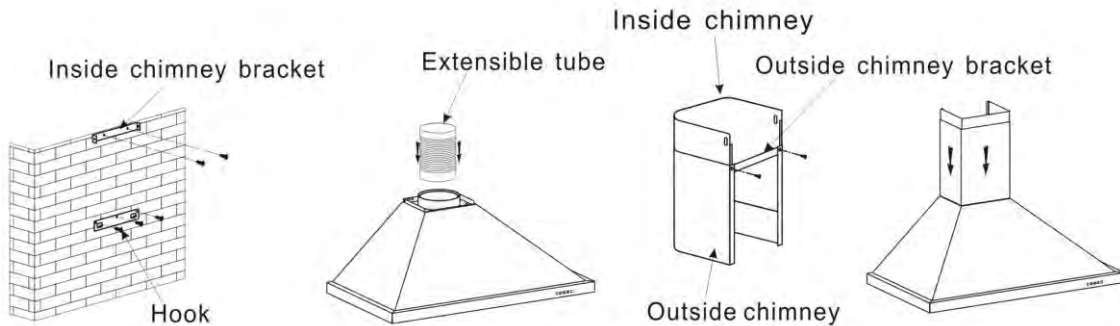
Pic5

- The range hood should be placed at a distance of 65-75cm (26-30inch) from the cooking surface for the best effect. See Pic 1.
- Install the hooks on the wall according to the installation height and keep it level. The fixed position of the inside chimney bracket is the place of chimney. See Pic 2
- Fix the outside chimney bracket on the outside chimney, and be sure that the inside chimney height can be adjusted freely. Attach the extendable pipe. Install the extendable pipe and chimney on the range hood canopy. See Pic 3.
- Put the range hood on the hook. See Pic 4.
- Adjust the height of the inside chimney to the position of the inside chimney bracket on the wall. Once adjusted to the correct position, fix the body with the safety screws. See Pic 5.



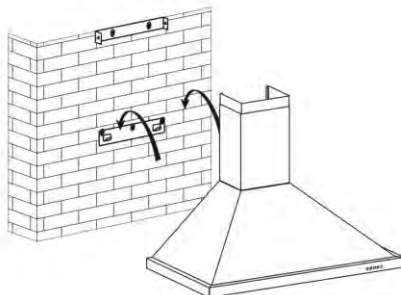
Pic1

Note: The two safety vents are positioned on the back casing, with a diameter of 6mm.



Pic2

Pic3



Pic4



Pic5

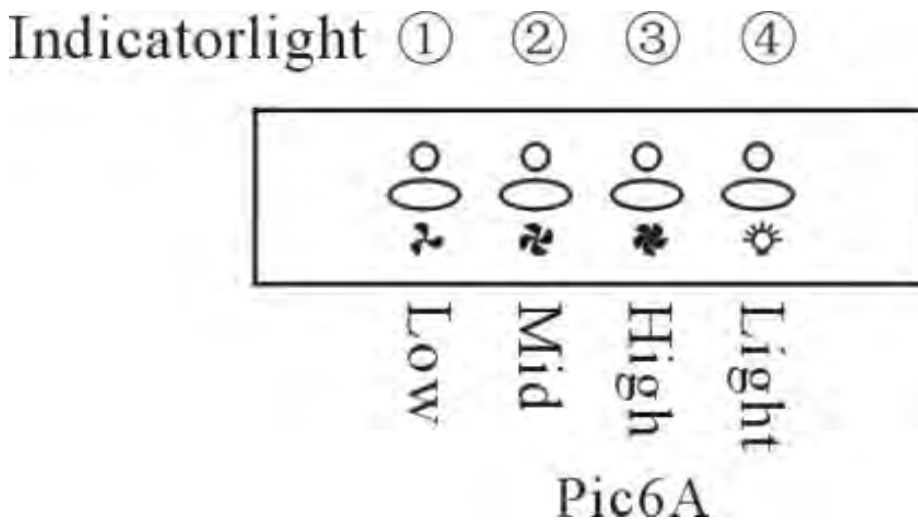
# USING YOUR APPLIANCE

## Product Features

- The range hood uses high quality materials in a streamlined design.
- Equipped with a powerful electric motor and centrifugal leaf; it produces strong suction, low noise and an easy to clean non-stick grease filter.
- The low voltage circuit board control is isolated (12vAC input) for additional safety.
- The special wind tunnel construction and oil collector design ensure loose dirt will be absorbed in a second.

## Electronic Button (SRC-9535S)

- Turn on the power; the buzzer will buzz five times. The sound shows that the appliance is powered.
- Push the low button, the indicating light 1 on, the buzzer will buzz once, and the motor runs at low speed. Push it again and the motor will stop.
- Push the middle button, the indicating light 2 on, the buzzer will buzz once, and the motor runs at mid speed. Push it again and the motor will stop.
- Push the high button, the indicating light 3 on, the buzzer will buzz once, and motor runs on high speed. Push it again and the motor will stop.
- Push the light button; the indicating light 4 on, and the two lighting lamps will come on. Push it again and the lamps will turn off, with every push the buzzer will buzz one time.



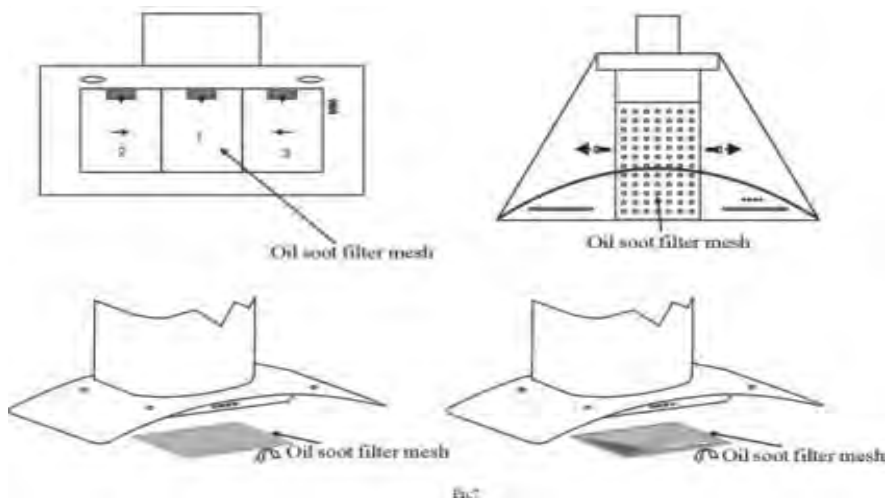
## CLEANING AND MAINTENANCE

### Cleaning Of Carbon Grease Filter Mesh

The filter mesh is made of high-density stainless steel. Please do not use a corrosive detergent on it. Keeping this filter clean will keep the appliance running correctly. Follow the guidelines below.

Method 1: Put the mesh into 40-50°C clean water, pour on detergent, and soak for 2-3 mins. Wear gloves and clean with a soft brush. Do not apply too much pressure as the mesh is delicate and will damage easily.

Method 2: If instructed to do so, it can be put into a dishwasher. Set the temperature to around 60°C.



### Cleaning Range Hood

- To protect the main body from corrosion over a long period of time, the range hood should be cleaned with hot water and a non-corrosive detergent every two months.
- Do not use an abrasive detergent for it will damage the body.
- Keep the motor and other spare parts free from water, as this will cause damage to the appliance.
- Before cleaning the appliance please remember to disconnect from power.
- **The carbon filter shouldn't be** exposed to heat.
- Do not tear open the fixed bar around the carbon filter



# TROUBLESHOOTING

If you suspect that your appliance is not functioning correctly, we advise you read below troubleshooting information to help you identify and asses how to best rectify any issues.

Servicing of the appliance must only be carried out by an authorised service representative and the appliance must not be modified. Power must be disconnected before any servicing or maintenance is conducted.

Fault	Cause	Solution
Light on, but motor does not work	The leaf is blocked	Remove the blockage
	The capacitor is damaged	Replace capacitor
	The motor jammed, bearings damaged	Replace motor
	There is a bad smell from the motor	Replace motor
Light does not work, motor does not work	Beside the above mentioned, check the following:	
	Light damaged	Replace lights
Hood Vibrates	Power cord loose	Connect the wires as per the electrical diagram
	The leaf damaged and causes shaking	Replace the leaf
	The motor is not tightly secured	Lock the motor tightly
Insufficient suction	The body is not tightly secured	Attach the body tightly
	The distance between the body and the gas top too long	Readjust the distance
The machine inclines	The fixing screws not tight enough	Tighten the hanging screw and make it horizontal
	The hanging screws not tight enough	Tighten the hanging screw and make it horizontal



# DECLARATION OF CONFORMITY

## Australian Standards

This product has been designed and manufactured to comply with all relevant Australian and New Zealand Standards.

AS/NZS 60335.1 General Requirements for Domestic Electrical Appliances

AS/NZS 60335.2.6 Specific Requirements for Domestic Electrical Cooking Appliances

This appliance is SAA certified

Installation of the appliance must be only be undertaken by a licenced electrician who can provide a compliance certificate.

This appliance is intended for domestic use only.