



Hamilton 900 Solid Ash Natural Wall Mounted Vanity

SKU#: J-2079

\$1,083.20

~~\$1,254~~

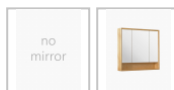
HANDLE OPTION



BASIN OPTION



MIRROR OPTION



Standard Basin Size: 410mm x 410mm x 150mm*

Cabinet Size: 900mm x 480mm x 580mm

Mirror Cabinet Size: 900mm x 800mm x 150mm*

Cabinet Finish: Solid Natural Ash & White High Gloss

Basin: Ceramic

Handle: Stainless Steel

Hardware: Blum Runners and Stainless Steel Handles

Configuration: Two Drawers (U-shape cut out in top draw only)

Warranty: 1 Year Product Warranty

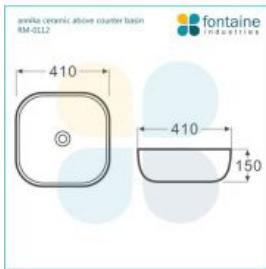
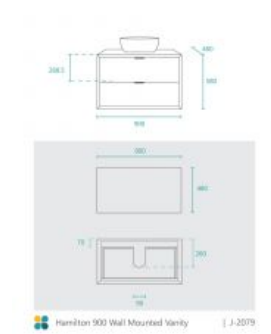
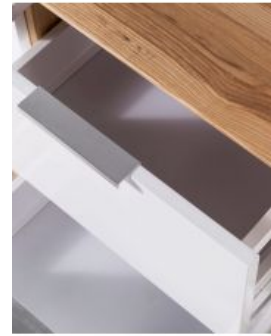
**Selecting different options may change these dimensions, please refer to the specification images.*

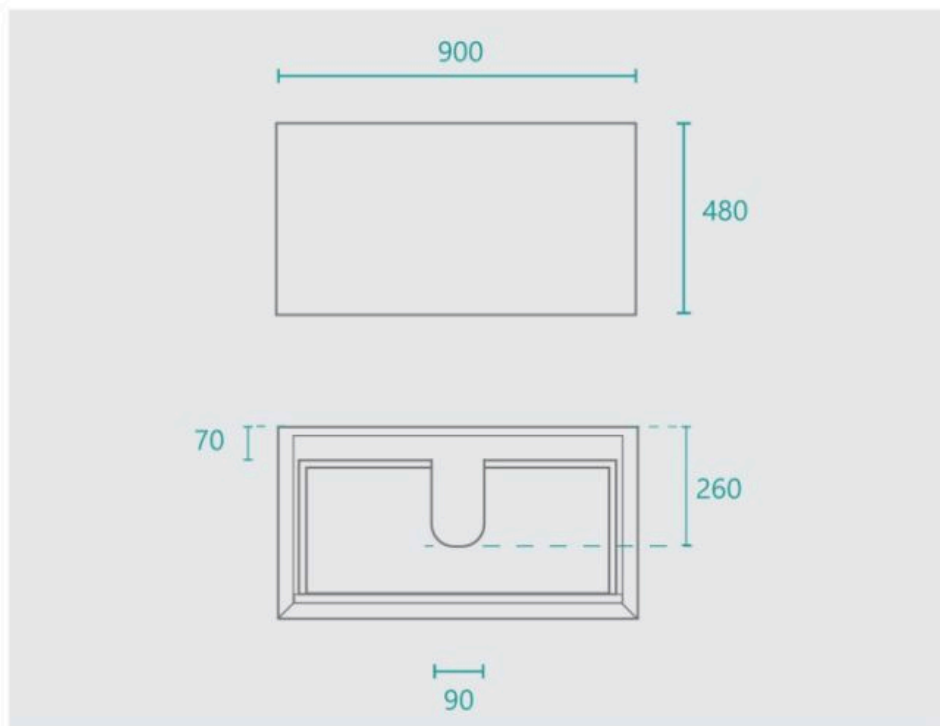
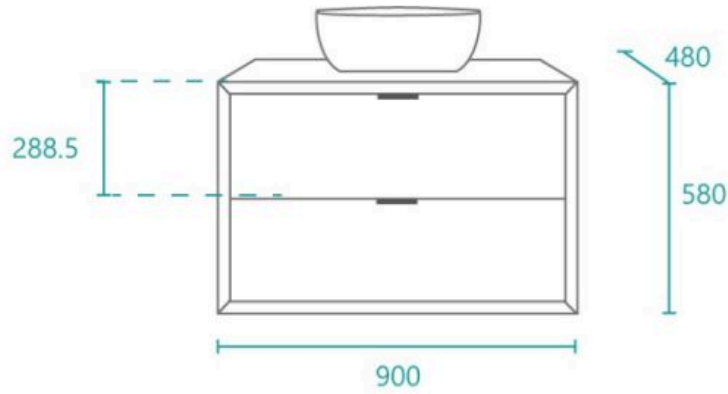
The Hamilton vanity features the latest solid wood design, complimented by sleek white drawers. Featuring a slimline ceramic basin for an elegant look. This vanity has excellent design and craftsmanship with its unique mitred edges in solid hardwood. The premium Ash hardwood has been stained to achieve this natural wood look. You will love the style and functionality of this vanity as it boasts excellent and particle storage with blum runners & steel drawers insides. You won't find anything like this anywhere else especially at such a fantastic price! Tap and waste fittings shown in the photos are for illustration purposes only and are sold separately, add them to your order to complete your look.

All timber vanities are fully assembled, finished and ready to install. For more information click [here](#).

Timber samples shown may vary from the actual product as each unit will have its own natural characteristics. Natural variations must be expected in timber. Please also note that your monitor may display colour differently. No holes are drilled in timber tops for greater installation flexibility.

Vanities, 900mm Vanities, Mid Year Sale





Hamilton 900 Wall Mounted Vanity

| J-2079