



## Baltimore In Wall Toilet

SKU#: TS-2002

**\$479.20**

~~\$599~~

### TOILET BUTTON OPTION



### TOILET CLIP OPTION



Length: 580mm

Width: 355mm

Height: 410mm

Seat & Lid: Superior Hardened, Ultra Thin, Soft Closing & Easy Release

Flush: R&T In Wall Cistern

Dual flush button- 4.5 Lt per flush, 3 Lt per half flush, 3.5 Lt average flush

Pan: Rimless Hygiene

Accreditation: AU Standard WMK, WELS 4 Star rated

WELS Registration: L05695

Warranty: 7 Year Product Warranty\*

The in-wall or concealed cistern Baltimore suite is the most premium in the Baltimore range, and will result in the most superior high-end look once installed. The hidden flush creates an uncluttered, hotel like luxury that can also make the space feel bigger. The in wall cistern is available in various button options to perfectly match with the rest of your bathroom design.

Featuring a streamlined design, gloss white finish and a pan that is floor standing. At the convenience and simplicity of no rim, the rimless toilet makes for a significantly easier clean inside the pan. With a direct flush technique, the flush washes the entire pan more efficiently stopping the build-up of grime, bacteria and limescale that would be found in toilets with a rim. The concealed cistern means there is no space behind the pan or around the cistern for dust and grime to accumulate, making cleaning the exterior of the toilet a lot easier.

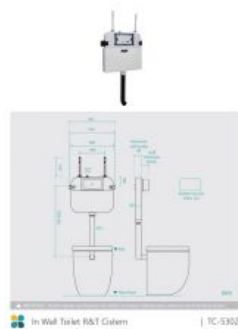
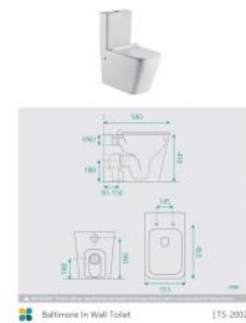
P Trap - 180mm

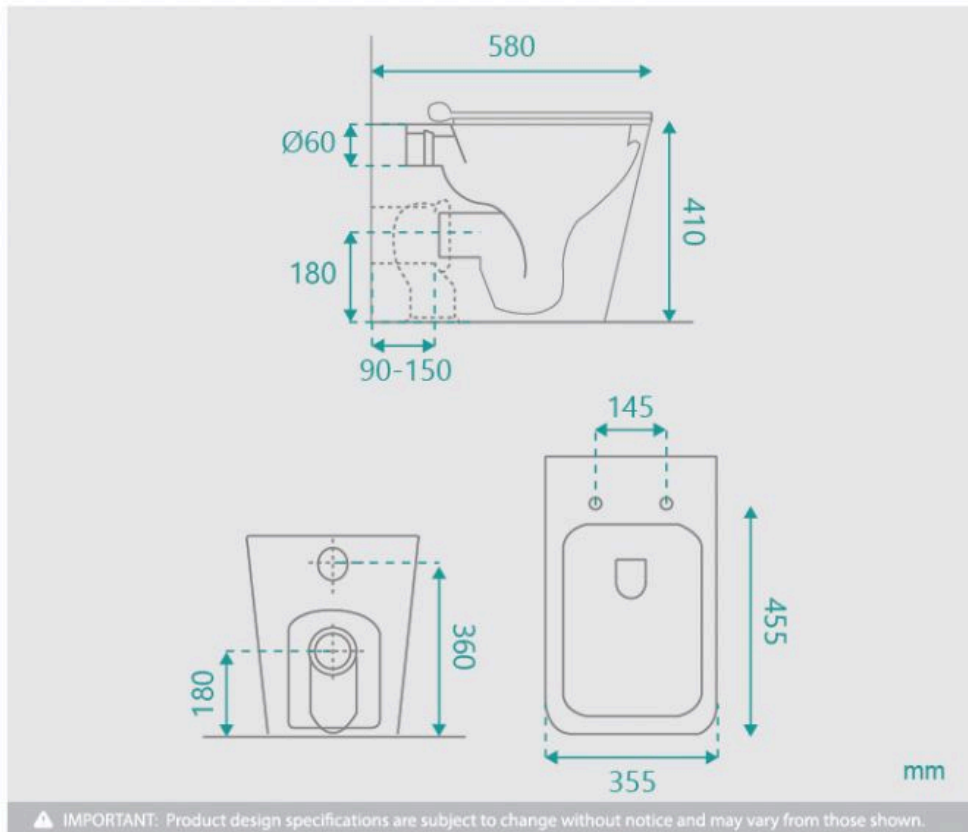
S Trap - 90-150mm P to S Trap converter (included)

*See item image for specification information*

\* inwall cisterns, valves, seats, button assembly, links, flush pipes and other internal components which carry a 3 year replacement warranty.

\*Please note that for ceramic products, specifications must allow +/- 10 mm tolerance for manufacturing variance, it is recommended to use measurements of the actual product received. Colours displayed online may appear different due to screen settings.





Baltimore In Wall Toilet

| TS-2002