



Indiana Back To Wall Toilet Suite

SKU#: TS-2008

\$208.05

~~219~~

BIDET SEAT UPGRADE



Length: 650mm

Width: 385mm

Height: 840mm

Seat & Lid: Superior Hardened, Ultra Thin, Soft Closing & Easy Release

Flush: R&T Universal (top or bottom inlet)

Dual flush button- 4.5 Lt per flush, 3 Lt per half flush, 3.5 Lt average flush

Pan: Rimless Hygiene

Accreditation: AU Standard WMK, WELS 4 Star rated

WELS Registration: L05698

Warranty: 7 Year Product Warranty*

The Indiana back to wall is a stylish and impressive toilet suite, featuring a streamlined, rimless design and gloss white finish. An amazing value for money, this Indiana toilet has the convenience and simplicity of no rim. The rimless toilet makes for a significantly easier clean. With a direct flush technique, the flush washes the entire pan more efficiently stopping the build-up of grime, bacteria and limescale that would be found in toilets with a rim. Its design is unique and an additional statement piece for your bathroom.

P Trap - 180mm

S Trap - 90-200mm range P to S Trap converter (included)

See item image for specification information

* inwall cisterns, valves, seats, button assembly, links, flush pipes and other internal components which carry a 3 year replacement warranty.

Upgrade with Smart Bidet Toilet Seat

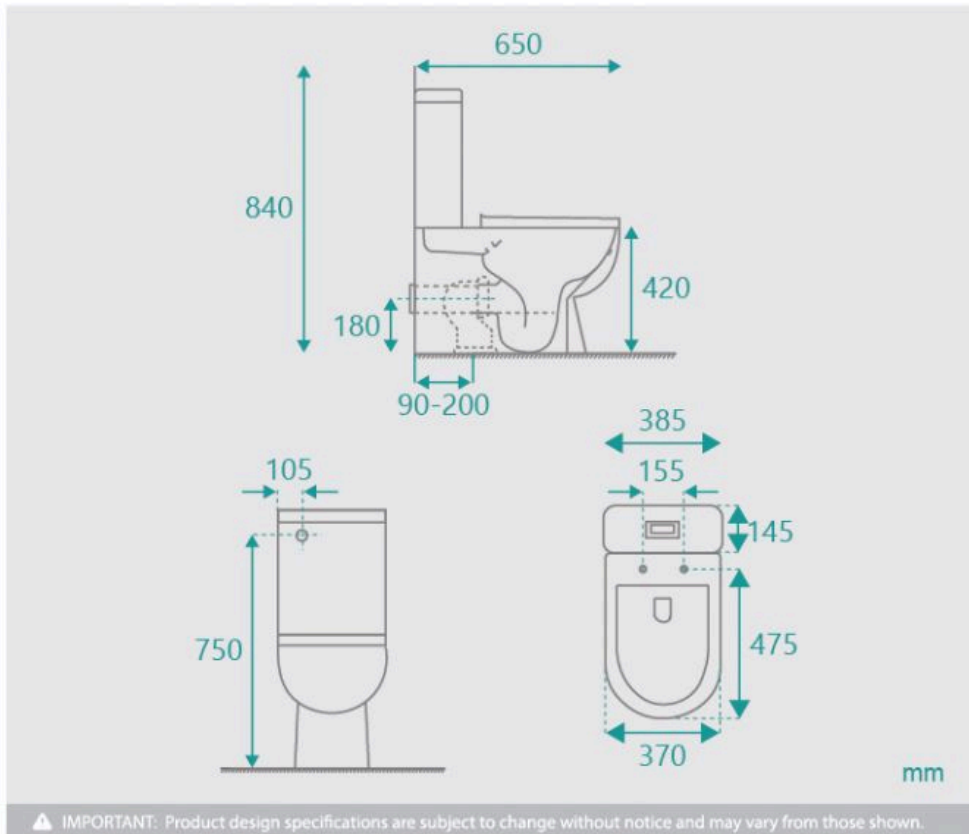
Model Number: TL-1001

- 512mm long x 393mm wide x 95mm high
- Bidet Toilet Seat
- Programs including: Cleaning & Temperature control, Night Light and Flush Volume Control

[Click here for more information](#)

*Please note that for ceramic products, specifications must allow +/- 10 mm tolerance for manufacturing variance, it is recommended to use measurements of the actual product received. Colours displayed online may appear different due to screen settings.





Indiana Back To Wall Toilet Suite

| TS-2008