



Stonehenge 1200 Vanity

SKU#: J-2020

\$288.60

~~\$444~~

HANDLE OPTION



BENCHTOP OPTION



BASIN OPTION



Standard Basin Size: 585mm x 395mm x 135mm*

Custom Stone Size: 1200mm x 480mm x 20mm

Cabinet Size: 1180mm x 465mm x 425mm

Cabinet Finish: White High Gloss

Stone Top Upgrade 20mm: Snow, Jet Black, Raw Concrete

Timber Top 40mm: Timber Ash Natural, Timber Ash Walnut

Basin: Ceramic

Handle: Stainless Steel Rounded

Configuration: Two Soft Closing Drawers

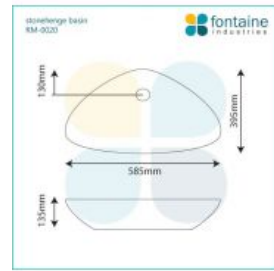
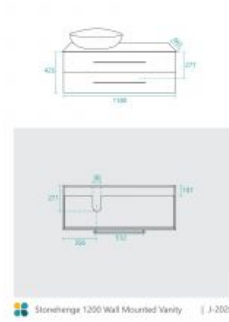
Warranty: 2 Year Product Warranty

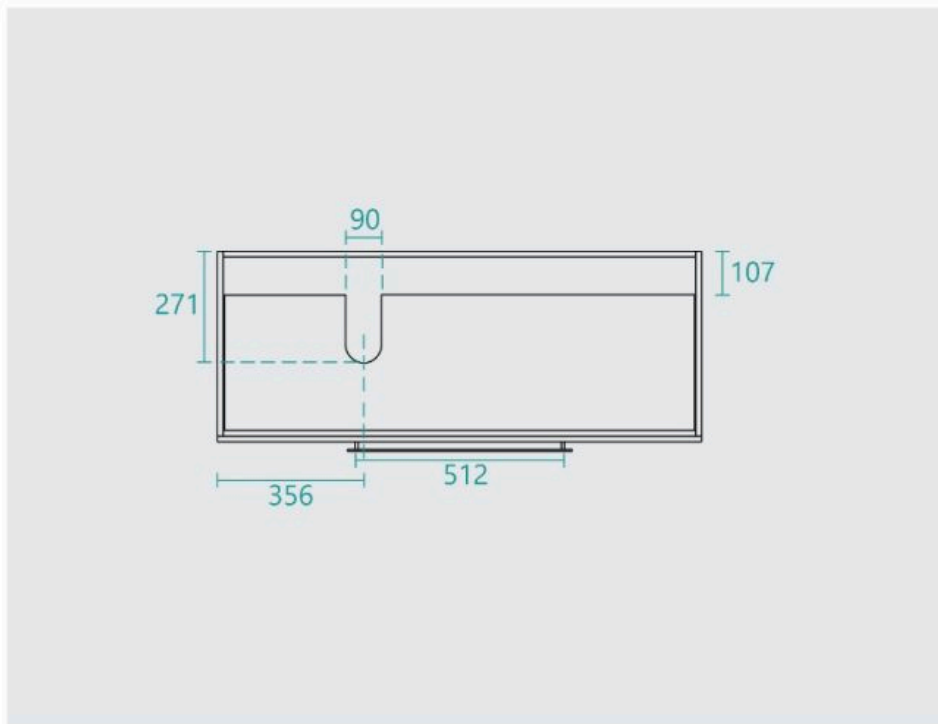
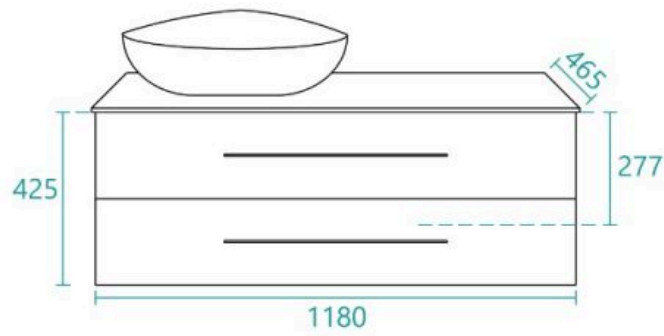
**Selecting different options may change these dimensions, please refer to the specification images.*

The Stonehenge vanity unit is unique and charming in design. Featuring a solid benchtop in a range of finishes to compliment your overall bathroom aesthetic. The offset design with the unique above counter ceramic basin offers ample amounts of benchtop space for your everyday bathroom essentials. The cabinet has two working soft closing drawers, and still has required plumbing space behind for easy installation. Tap and waste fittings shown in the photos are for illustration purposes only and are sold separately, add them to your order to complete your look.

**Please note that stone and timber samples may differ from the actual product due to natural variations and batch differences. Colours displayed online may appear different due to screen settings. Standard stone and timber benchtops are supplied without holes, allowing for installation flexibility. Custom stone benchtop orders will be dispatched within 15 business days.*

Vanities, 1200mm Vanities, White, Wall Mounted Vanities, Gloss, White, Mid Year Sale





Stonehenge 1200 Wall Mounted Vanity

| J-2020