

## Alexis 750 Vanity

SKU#: J-2004

**\$295.20**

~~\$369~~

Installed Size: 760mm x 460mm x 875mm

Cabinet Finish: White High Gloss

Basin & Top: Ceramic

Overflow Outlet: Yes

Handle: Stainless Steel Rounded

Configuration: Two drawers and one door with shelf inside

Warranty: 2 Year Product Warranty

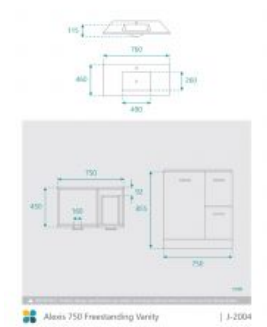
The Alexis range is contemporary in design featuring sleek clean lines. The ceramic basin and top has a pronounced recessed bowl to allow for maximum bench space for all things bathroom. The cabinet has stainless steel handles, two drawers and one door with an adjustable shelf inside.

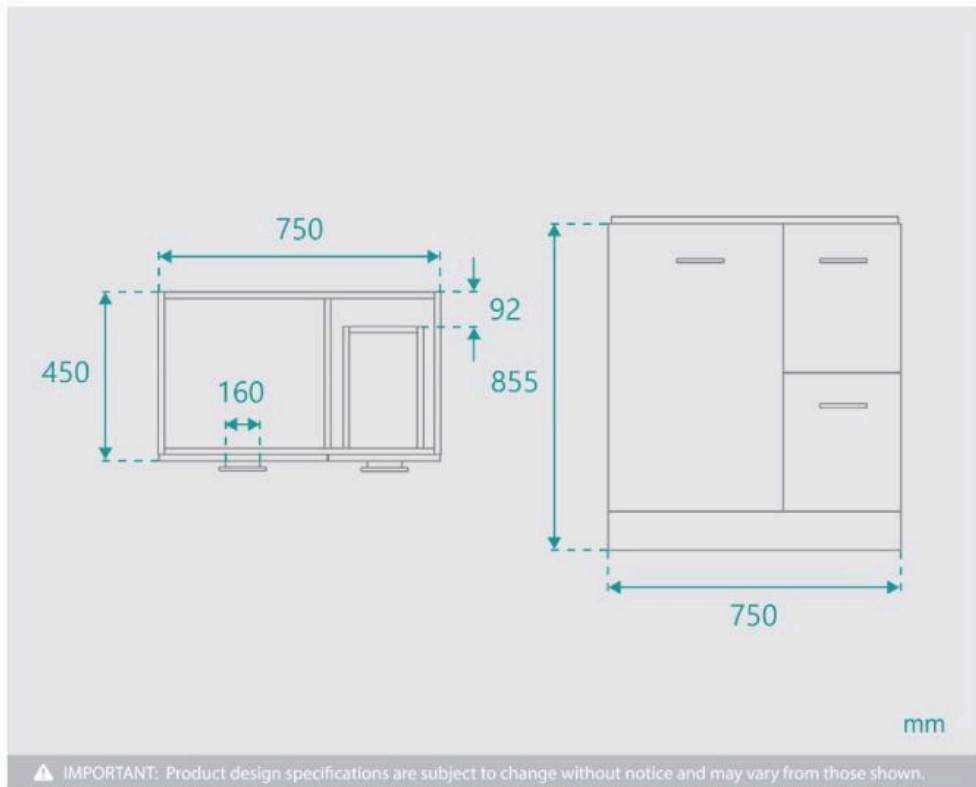
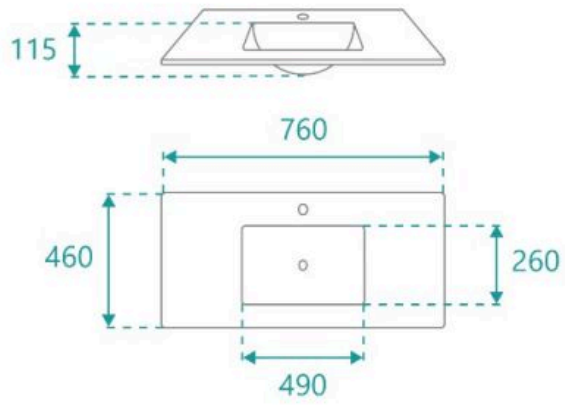
Tap and waste fittings shown in the photos are for illustration purposes only and are sold separately, add them to your order to complete your look.

*\*Please note that for ceramic products, specifications must allow +/- 10 mm tolerance for manufacturing variance, it is recommended to use measurements of the actual product received. Colours displayed online may appear different due to screen settings.*

[Commercial Projects](#), [Bathroom](#), [Vanities](#), [Budget Vanities](#), [Compact Vanities](#), [750mm Vanities](#), [White](#), [Freestanding Vanities](#), [Gloss](#), [White](#), [Mid Year Sale](#)







▲ IMPORTANT: Product design specifications are subject to change without notice and may vary from those shown.

fontaine industries Alexis 750 Freestanding Vanity

| J-2004