



## Frederick 900 Wall Mounted Vanity

SKU#: J-2035

**\$468**

~~595~~

### BENCHTOP OPTION



### BASIN OPTION



Standard Basin Size: 355mm x 355mm x 120mm\*

Standard Stone Size: 900mm x 500mm x 20mm

Cabinet Size: 898mm x 498mm x 450mm

Cabinet Finish: Matte White with Timber Melamine  
"Nebraska Oak" Finish

Stone Top Standard 20mm: White Pepper, Midnight Black,  
Concrete Grey and Venato Bianco

Basin: Ceramic with Overflow

Handle: Push to Open

Configuration: One Push to Open Drawer (U-Shape Cut Out in  
Drawer)

Warranty: 2 Year Product Warranty

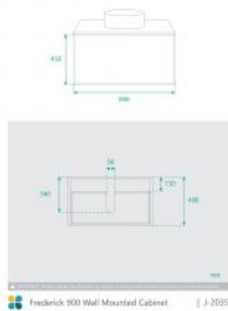
*\*Selecting different options may change these dimensions, please refer to the specification images.*

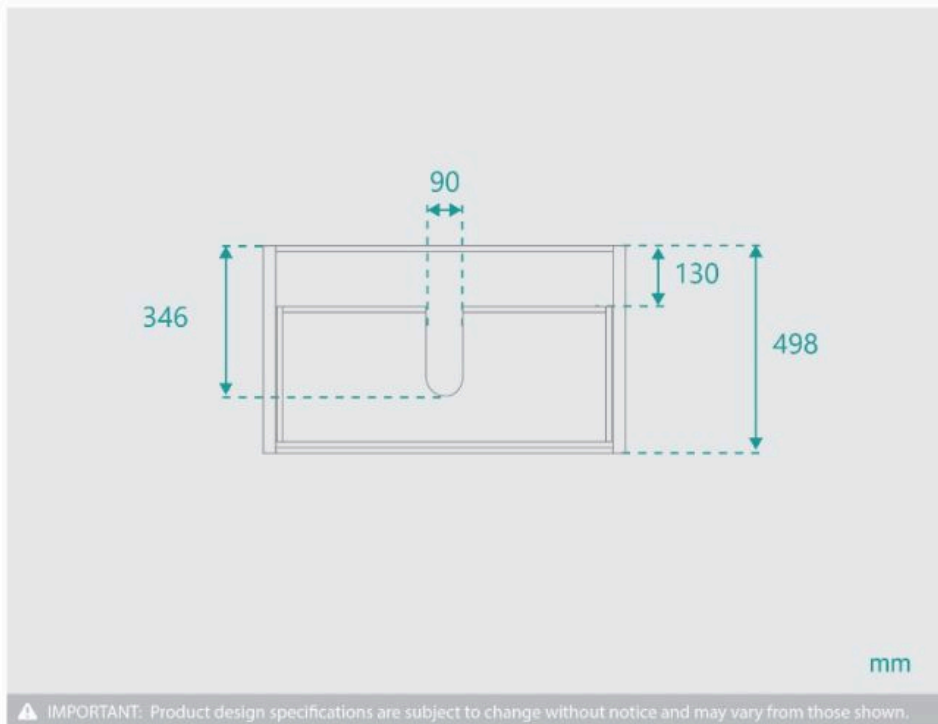
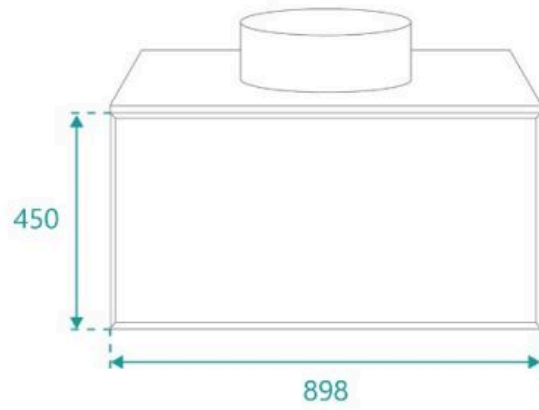
The Frederick wall mounted vanity range embodies modern and streamlined vanity design perfectly suited for the bathrooms of the everyday Australian home. The superior matte white cabinetry is formed with chic 45 mitre edging and adds a breath of lightness against the Nebraska Oak melamine timber finish on the vanity drawers. The Frederick vanity unit personifies a high-end designer impact at an affordable price point and includes a stone top. It is paired with a contemporary and sleek matte white Kendall basin which adds an additional streamlined element to the floating vanity.

Tap and waste fittings shown in the photos are for illustration purposes only and are sold separately, add them to your order to complete your look.

*\*Please note that stone and timber samples may differ from the actual product due to natural variations and batch differences. Colours displayed online may appear different due to screen settings. Standard stone and timber benchtops are supplied without holes, allowing for installation flexibility. Custom stone benchtop orders will be dispatched within 15 business days.*

Vanities, 900mm Vanities, Wall Mounted Vanities, Mid Year Sale





Frederick 900 Wall Mounted Cabinet

| J-2035