



## Mobella 1200 Vanity

SKU#: J-2024

From **\$394**

### HANDLE OPTION



### BENCHTOP OPTION



### BASIN OPTION



Standard Basin Size: 1210mm x 460mm x 115mm

Standard Stone Size: 1200mm x 460mm x 20mm\*

Cabinet Size: 1190mm x 450mm x 505mm

Cabinet Finish: White High Gloss

Basin & Top: Ceramic

Overflow Outlet: Yes

Stone Top Standard 20mm: White Pepper, Midnight Black, Concrete Grey, Venato Bianco

Timber Top 40mm: Timber Ash Natural, Timber Ash Walnut

Handle: Stainless Steel Rounded

Configuration: Two doors and two drawers

Warranty: 2 Year Product Warranty

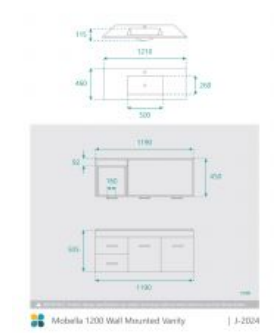
The Mobella range is an elegant and balanced wall hung design, the ceramic basin and top has a sleek recessed bowl to allow for maximum bench space for all things bathroom. Featuring sleek stainless steel handles, two soft close doors and two soft closing drawers.

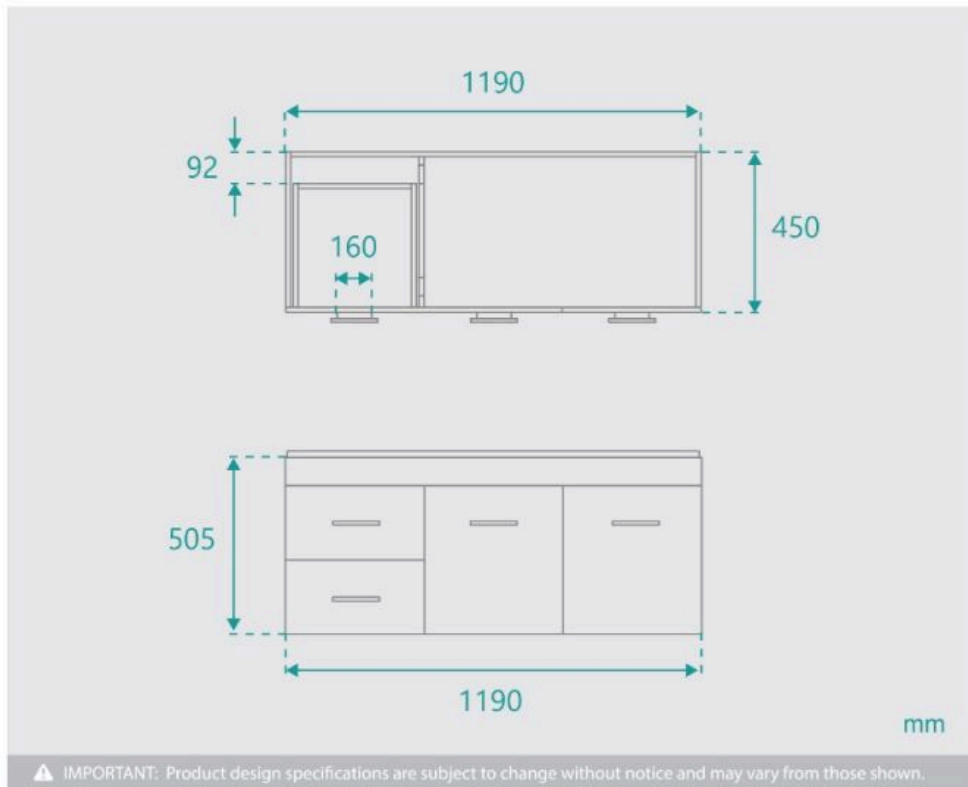
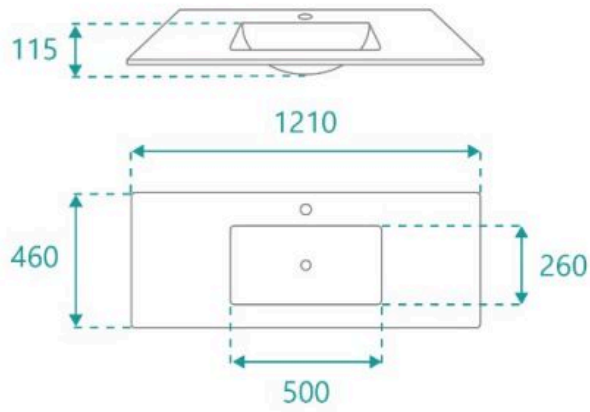
Tap and waste fittings shown in the photos are for illustration purposes only and are sold separately, add them to your order to complete your look.

*\*Please note that for ceramic products, specifications must allow +/- 10 mm tolerance for manufacturing variance, it is recommended to use measurements of the actual product received. Colours displayed online may appear different due to screen settings.*

*\*Please note that stone and timber samples may differ from the actual product due to natural variations and batch differences. Colours displayed online may appear different due to screen settings. Standard stone and timber benchtops are supplied without holes, allowing for installation flexibility. Custom stone benchtop orders will be dispatched within 15 business days.*

**[Vanities](#), [Budget Vanities](#), [1200mm Vanities](#), [White](#), [Wall Mounted Vanities](#), [Gloss](#), [White](#), [Mid Year Sale](#)**





Mobella 1200 Wall Mounted Vanity

| J-2024