

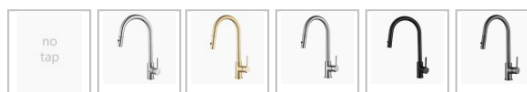
## Toronto Single Square Sink with Drainer

SKU#: K-0205

**\$295.20**

~~\$369~~

### KITCHEN TAP OPTION



### KITCHEN WASTE OPTION



### ACCESSORIES OPTION



Length: 919mm

Width: 527mm

Height: 203mm

Capacity: 47L

Waste: Standard Waste Included

Material: 304 Grade, Thickness 1.2mm

Configuration: 1 Sink with Drainer, Overmount or Undermount (Fittings Included)

Features: Noise Reduction & Anti-Condensation

Warranty: 7 Year Product Warranty

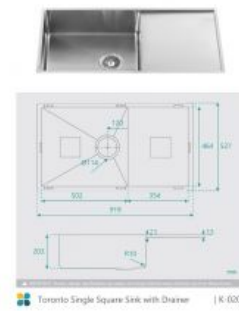
The Toronto range of sinks boast superior workmanship & quality finish. The ultra modern “cube” design is an elegant alternative for your modern kitchen & laundry. Their clever design allows for the sink to be installed as a “top mount” or “under mount” into the bench to give you the finish that best suits your application. Our Toronto sinks have been hand made to provide you with a quality finish, maintaining precise joinery second to none. The edging is deliberately rounded for functionality and ease of cleaning, yet maintaining its true cube style for your aesthetic pleasure. This sink features a large, deep bowl and angled minimalist drainer- all the requirements for a completely functional kitchen sink. The sink can also be installed as a left or right side drainer.

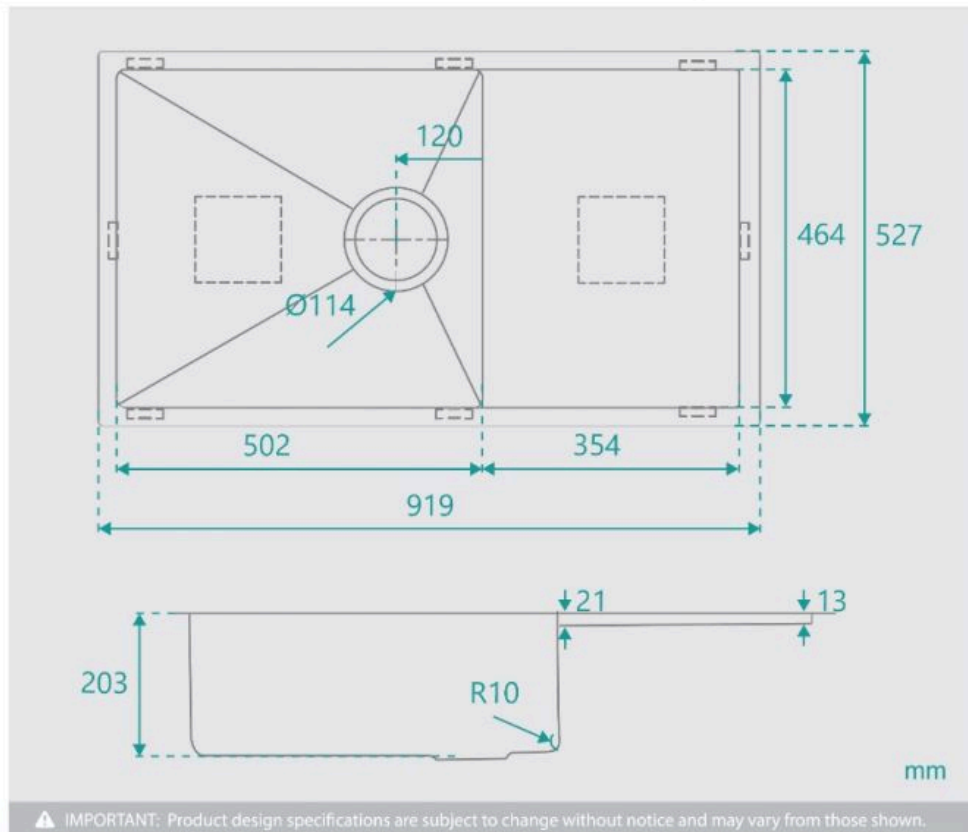
Featuring silencing pads around the outside of the sink, you can benefit from the reduction in noise from water and utensils. The special anti-condensation coating covers the silencing pad and outer surface of the sink, protecting your cabinet from sweating, potential damage or smells caused by condensed water, and as a bonus also helps with sound deadening.

Further enhance your kitchen experience with the additions of our sink accessories. Made to fit over your sink for ease, add a colander, a chopping board or both!

Suits: Toronto Chopping Board (A-3006) & Toronto Colander (A-3005)

View our store for our range of taps to complete the look.





Toronto Single Square Sink with Drainer

| K-0205