



Eleanor Ceiling Shower Arm Short & Vera Shower Head Set

SKU#: S-1020 / S-2101

\$115.20

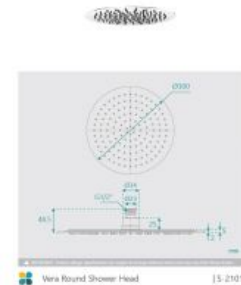
~~\$144~~

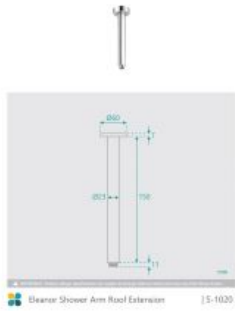
Shower Head Diameter: 300mm
 Head Thickness: 2mm
 Total Head Height: 45mm
 Arm Length/Reach: 150mm
 Arm Backplate Width: 60mm
 Construction: Brass (With Stainless Steel Shower Head)
 Finish: Chrome Finish
 Accreditation: AU Standard, WELS 9L/min, 3 Star and Watermark
 WELS Registration: S09800
 Warranty: 7 Year Product Warranty

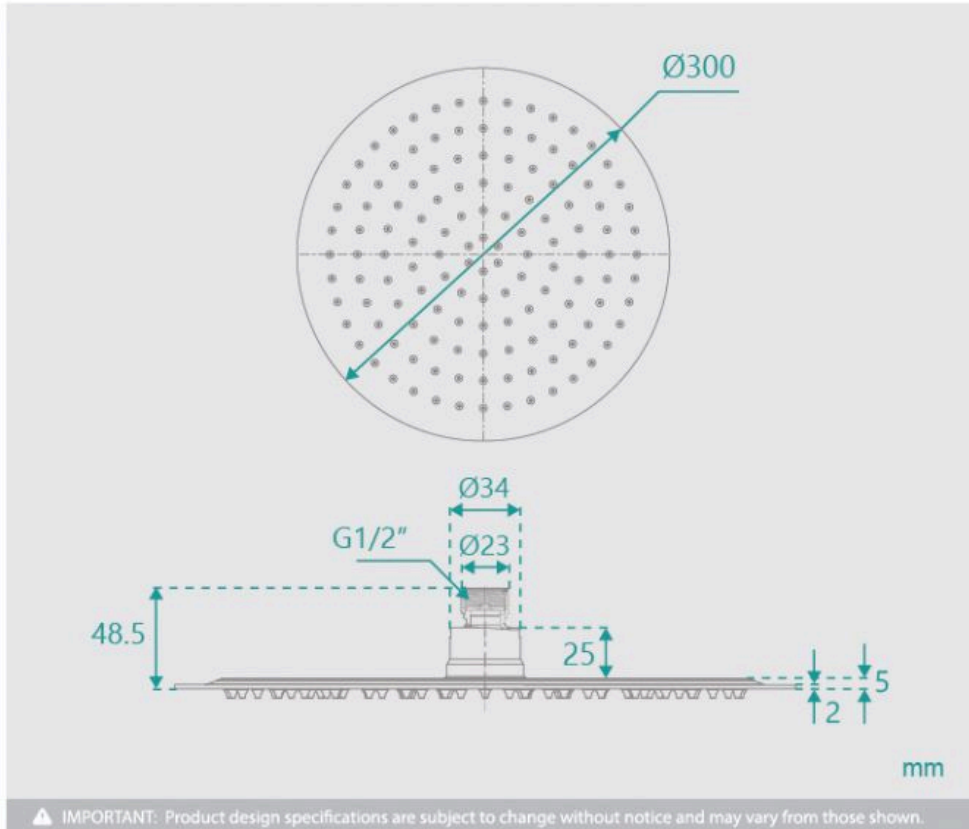
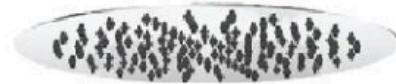
Add luxury to your bathroom with this shower arm short and head set between the Eleanor and Vera. The soft edges of the Eleanor will embody an elegance to your shower, whilst the Vera, in its sleek and thin make, transforms a classic design into a modern juxtaposition.

View our store to find a matching range or [shower screen](#), [vanity unit](#), [mirror](#), [basin](#) or [tap](#) for your bathroom and save on combined delivery.

See listing image for measurement specification.







Vera Round Shower Head

| S-2101