



## Hawking Wall Mounted Care Ceramic Basin with Shroud

SKU#: RM-0133

**\$159.20**

~~€199~~

### BASIN TAP OPTION



### WASTE OPTION



### SHROUD OPTION



Basin Size: 560mm x 440mm x 176mm

Basin & Shroud Size: 560mm x 440mm x 470mm

Basin Type: Wall Mounted Basin

Construction: Ceramic

Finish: White High Gloss

Overflow Outlet: Yes

Waste Size: 32mm

Features: Can be installed to comply with AS1428.1

Warranty: 5 Year Product Warranty

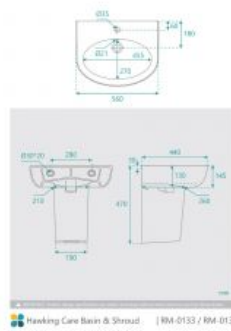
The Hawking Wall Mounted Care Ceramic Basin is specifically created to improve simplicity, safety, and accessibility for individuals with disabilities or restricted mobility.

Featuring a white high gloss finish, this ambulant & care basin can be installed to comply with AS1428.1 standards for access and mobility.

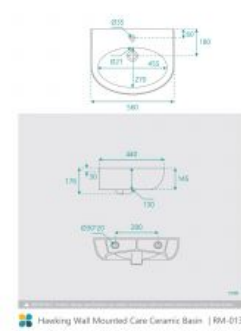
The Hawking Care Basin with Shroud is an ideal choice for avoiding any damage or tampering or simply to hide any unwanted visible plumbing for a stylish ambulant and independent living bathroom space. The basin can also be installed without the shroud.

Improve your bathroom safety by shopping our wide selection of [Ambulant & Care Tapware](#) or our range of [Ambulant & Care Toilets](#).

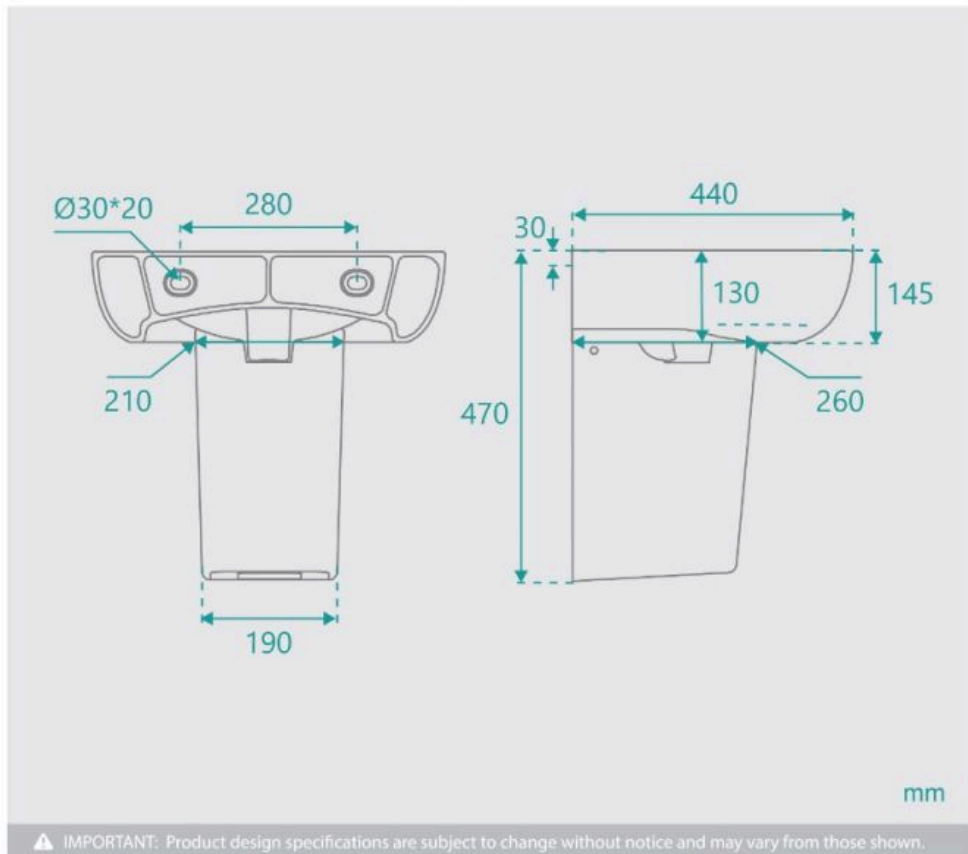
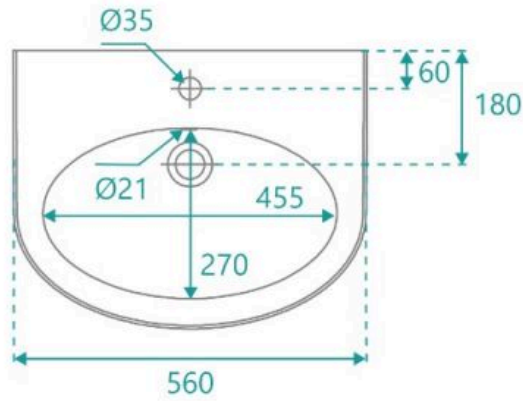
*\*Please note that for ceramic products, specifications must allow +/- 10 mm tolerance for manufacturing variance, it is recommended to use measurements of the actual product received. Colours displayed online may appear different due to screen settings.*



Hawking Care Basin & Stroud | RM-0133 / RM-0134



Hawking Wall Mounted Care Ceramic Basin | RM-0133



mm

▲ IMPORTANT: Product design specifications are subject to change without notice and may vary from those shown.

 Hawking Care Basin & Shroud | RM-0133 / RM-0134