

Harper Back to Wall Fluted Groove Bath 1500 White

SKU#: B-4069

\$1,189.30

~~\$1,699~~

WASTE OPTION



BATH CADDY OPTION



Length: 1500mm

Width: 750mm

Height: 580mm

Installation: Back to Wall

Configuration: Self-supporting base and frame with adjustable legs

Construction: Sanitary grade acrylic with solid fiberglass reinforcement

Key Features: High quality sanitary acrylic, double wall insulated for heat retention, easy installation, reinforced for durability

Finish: White High Gloss

Overflow: No

Waste: Standard Plug & Waste included

Capacity: 255L

Warranty: 7 Year Product Warranty

Our fluted back to wall bathtub in 1500mm presents a unique groove texture pattern and white high gloss finish, created to be a statement piece for your desired bathroom area.

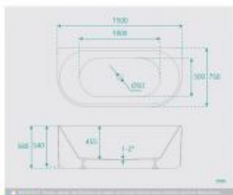
The distinctive vertical ribbed pattern is designed to add style to your bathroom space and compliment your overall bathroom aesthetic.

The back to wall fluted bathtubs are designed to sit flush against your wall to optimise space for your bathroom.

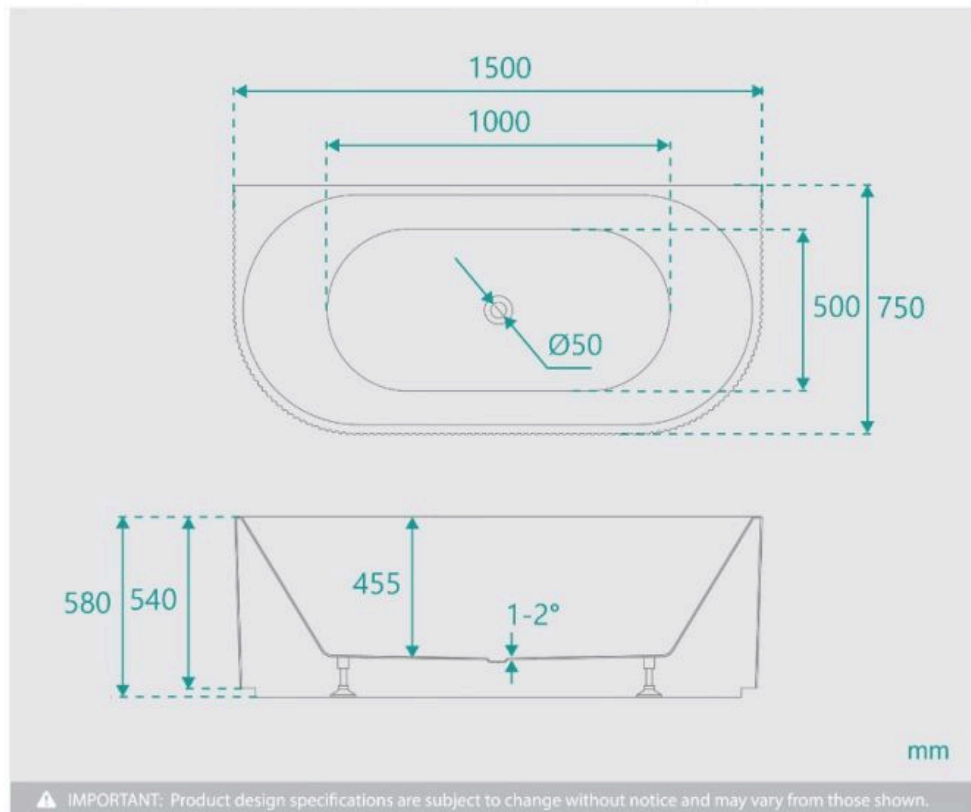
Our extensive catalogue of bathtubs feature [freestanding](#), [back to wall](#) and [corner bath](#) designs.

View our range of baths available in [1500mm](#), [1700mm](#) in a [white high gloss](#) or [matte white](#) finish.

Discover our range of [fluted basins](#) and [freestanding tapware](#) or [wall mounted tapware](#) to complete your bathroom look.



Harper 1500 Back To Wall Bath Fluted | B-4069



 Harper 1500 Back To Wall Bath Fluted

| B-4069