

Harper Back to Wall Fluted Groove Bath 1700 Matte White

SKU#: B-4078

\$1,469.30

~~\$2,000~~

WASTE OPTION



BATH CADDY OPTION



Length: 1700mm

Width: 800mm

Height: 580mm

Installation: Back to Wall

Configuration: Self-supporting base and frame with adjustable legs

Construction: Sanitary grade acrylic with solid fiberglass reinforcement

Key Features: High quality sanitary acrylic, double wall insulated for heat retention, easy installation, reinforced for durability

Finish: Matte White

Overflow: No

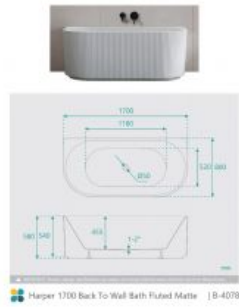
Waste: Standard Plug & Waste included

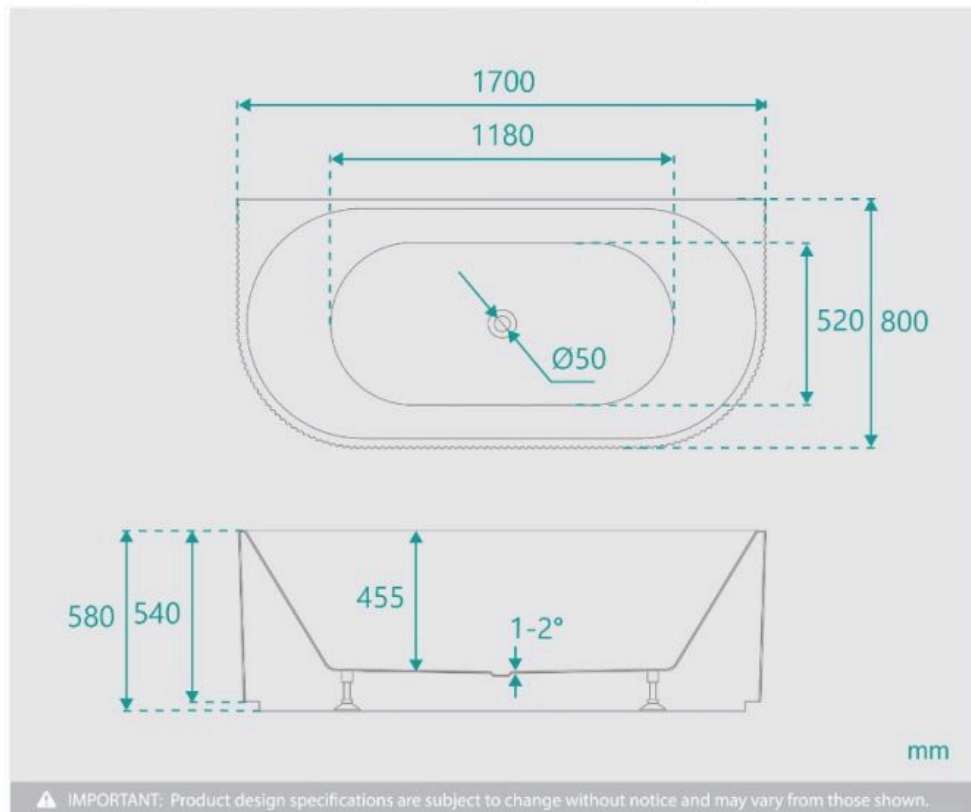
Capacity: 334L

Warranty: 7 Year Product Warranty

Add elegance to your bathroom with our fluted back to wall bathtub in 1700mm available in a modern matte white finish. Our back to wall bathtub has been created to rest flush against your bathroom wall to create ample space for your bathroom area. The round back to wall shape is designed to optimise space for your bathroom area and easy, low maintenance cleaning. The Harper fluted groove back to wall bath is a versatile design, featuring a self-supporting base and frame with adjustable legs. The distinctive vertical ribbed patterned bathtub is designed is made from sanitary grade acrylic with solid fiberglass reinforcement for durability. Our Harper fluted groove back to wall bath is available in [freestanding](#), [back to wall](#) and [corner bath](#) designs. View our range of fluted baths available in [1500mm](#), [1700mm](#) in a [white high gloss](#) or [matte white](#) finish.

Discover our range of fluted basins and freestanding tapware or wall mounted tapware to complete your bathroom look.





 Harper 1700 Back To Wall Bath Fluted Matte | B-4078