

## Rutherglen 1200 Timber Fluted Groove Wall Mounted Vanity

SKU#: J-2104

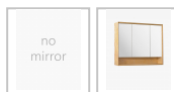
**\$1,803.20**

~~\$2,254~~

### BASIN OPTION



### MIRROR OPTION



Standard Basin Size: 355mm x 355mm x 120mm\*

Cabinet Size: 1200mm x 500mm x 500mm

Cabinet Finish: Ash with Natural Finish

Standard Basin: Ceramic Matte Finish

Handle: Push to Open

Hardware: Blum runners

Configuration: Two push to open drawers

Warranty: 1 Year Product Warranty

*\*Selecting different options may change these dimensions, please refer to the specification images.*

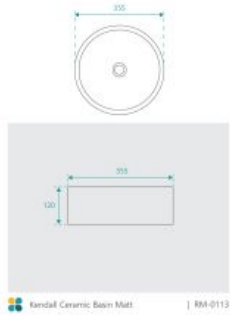
The Rutherglen wall mounted vanity is a true masterpiece that is full of distinct design details. The bespoke cabinet is handcrafted with a panelling façade on the draw face that gives a textural richness that is simply breathtaking. The solid timber sides and edges are joined with a bevel detail that verifies the quality craftsmanship of this piece. Constructed in a solid natural ash timber that has been finished in a neutral warm tone, this vanity brings a serene and intimate atmosphere to your bathroom. Perfectly complimented by a round ceramic basin to complete the look. You will love the style and functionality of this vanity. It boasts excellent storage which is perfect for those who need a lot of storage space, featuring push to open runners and grey drawer interior. You won't find anything like this anywhere else, especially at such an affordable price!

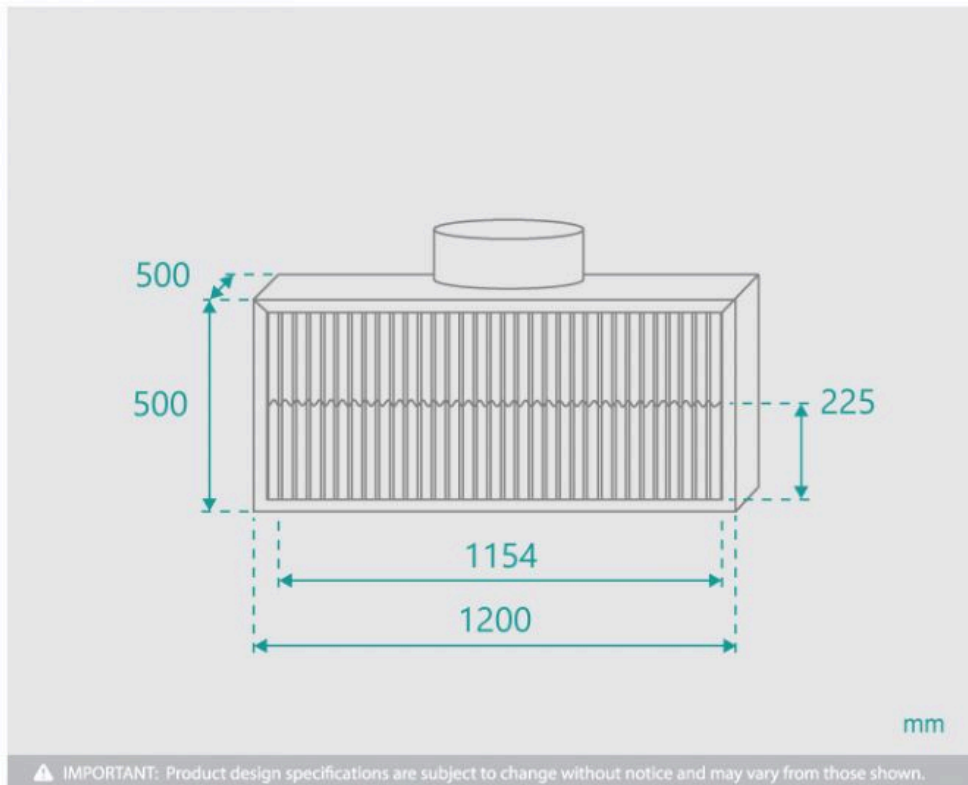
Do you want this exact tap and waste plug shown in the photo? Click here to see the [Rosa Tall Basin Mixer Tap](#) in Gold Finish & [Pop Up Waste](#) in Gold.

All timber vanities are fully assembled, finished and ready to install. For more flexibility of installation there are no holes for tap or waste, they can be added at installation. For more installation information click [here](#).

*Timber samples shown may vary from the actual product as each unit will have its own natural characteristics. Natural variations must be expected in timber. Please also note that your monitor may display colour differently. No holes are drilled in timber tops for greater installation flexibility.*

Vanities, Fluted Vanities, 1200mm Vanities, Wall Mounted Vanities, Timber Vanities, Mid Year Sale, Fluted Range





Rutherglen 1200 Wall Mounted Vanity

| J-2104