

# Joslin 1500 Fluted Curved Ash Vanity

SKU#: J-2115

**\$1,411.20**

~~\$1,764~~

## BENCHTOP OPTION



## BASIN OPTION



## MIRROR OPTION



Standard Basin Size: 355mm x 355mm x 120mm\*

Stone Size: 1500mm x 480mm x 20mm\*

Cabinet Size: 1490mm x 475mm x 400mm

Cabinet Finish: Ash Wood

Cabinet Construction: Plywood & Solid Wood Surface

Standard Basin: Ceramic Finish

Handle: Push to Open

Configuration: Two Large Push to Open Drawer with Internal Drawer, Two Push to Open Curve Doors with Internal Shelves

Features: LED Internal Lights with Motion Sensor, Moisture Resistant Cabinet, Natural Ash Wood Grain

Warranty: 2 Year Product Warranty

*\*Selecting different options may change these dimensions, please refer to the specification images.*

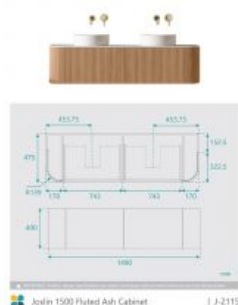
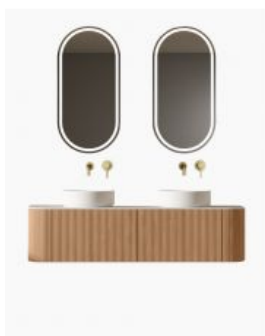
The 1500mm Joslin fluted curve bathroom vanity has been thoughtfully designed to bring a new standard of sophistication and appeal. The Natural Ash finished fluted cabinet is handcrafted with a unique panelling façade on the exterior that provides a textural richness resulting in a statement piece for any bathroom.

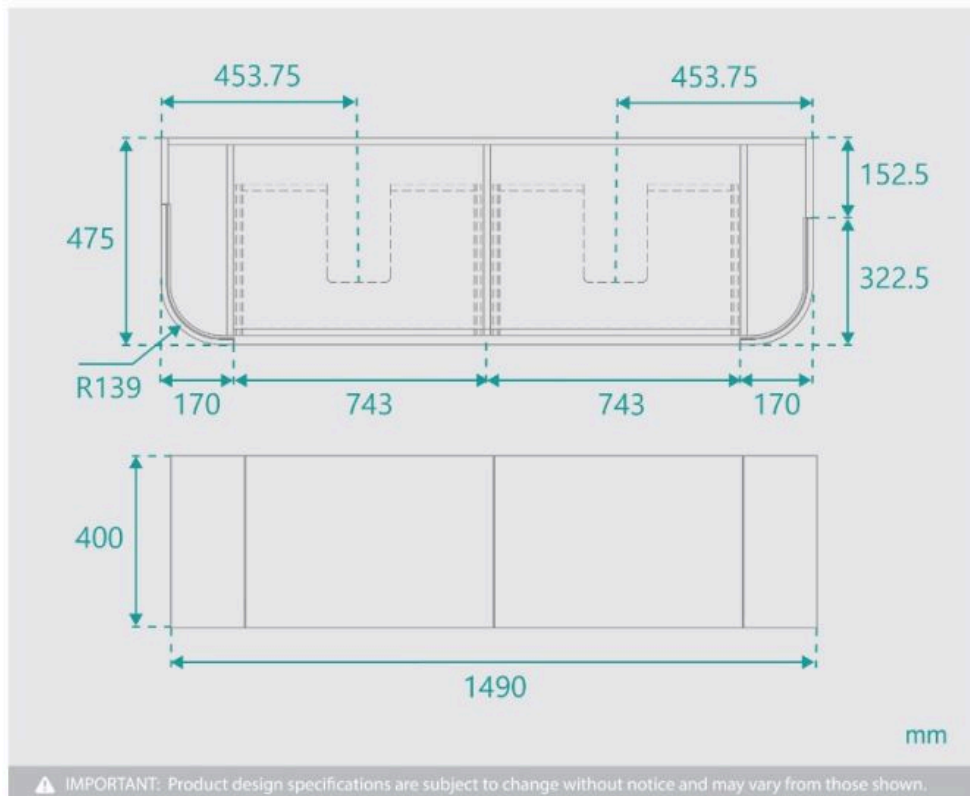
The exterior of the vanity is clad in natural wood grain, making this fluted vanity an exceptional value for price. Featuring a LED sensory light that activates when opening the two large push to open draw. Complete the look by selecting from our range of ceramic above counter basins in a range of shapes and styles to suit your bathroom aesthetic.

With two push to open side curve doors that include internal shelves and small drawers available in the main draw face, no space is wasted in this deluxe vanity that will assist with your everyday bathroom needs. Constructed in moisture resistant plywood then veneered with natural ash, this wall mounted vanity brings a calming and welcoming ambience to your bathroom space.

*\*Please note that stone samples may differ from the actual product due to natural variations and batch differences. Colours displayed online may appear different due to screen settings. Standard stone benchtops are supplied without holes, allowing for installation flexibility. Custom stone benchtop orders will be dispatched within 15 business days.*

**Bathroom, Vanities, Fluted Vanities, 1500mm Vanities, Wall Mounted Vanities, Double Basin Vanities, Fluted Range, Large Joslin Vanities**





 Joslin 1500 Fluted Ash Cabinet

| J-2115