



Joslin 1500 Fluted Curved Matte White Vanity

SKU#: J-2110

From **\$1,564**

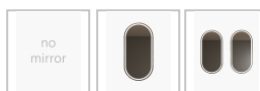
BENCHTOP OPTION



BASIN OPTION



MIRROR OPTION



Standard Basin Size: 355mm x 355mm x 120mm*

Stone Size: 1500mm x 480mm x 20mm*

Cabinet Size: 1490mm x 475mm x 400mm

Cabinet Finish: Matte White

Cabinet Construction: Plywood & MDF

Standard Basin: Ceramic Gloss

Handle: Push to Open

Configuration: Two Large Push to Open Drawer with Internal Drawer, Two Push to Open Curve Doors with Internal Shelves

Features: LED Internal Lights with Motion Sensor, Moisture Resistant Cabinet, Soft Touch Matte White

Certification: Australian Standard, SAA Approved

Electrical Connection: Hardwired (Electrician Required)

Electrical IP Rating: IP44

Warranty: 2 Year Product Warranty

**Selecting different options may change these dimensions, please refer to the specification images.*

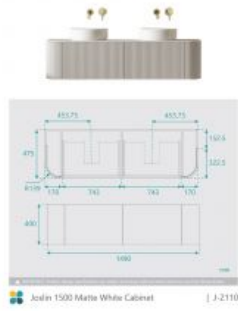
The 1500mm Joslin fluted curve bathroom vanity has been thoughtfully designed to bring a new standard of sophistication and appeal. The matte white finished fluted cabinet is handcrafted with a unique panelling façade on the exterior that provides a textural richness resulting in a statement piece for any bathroom.

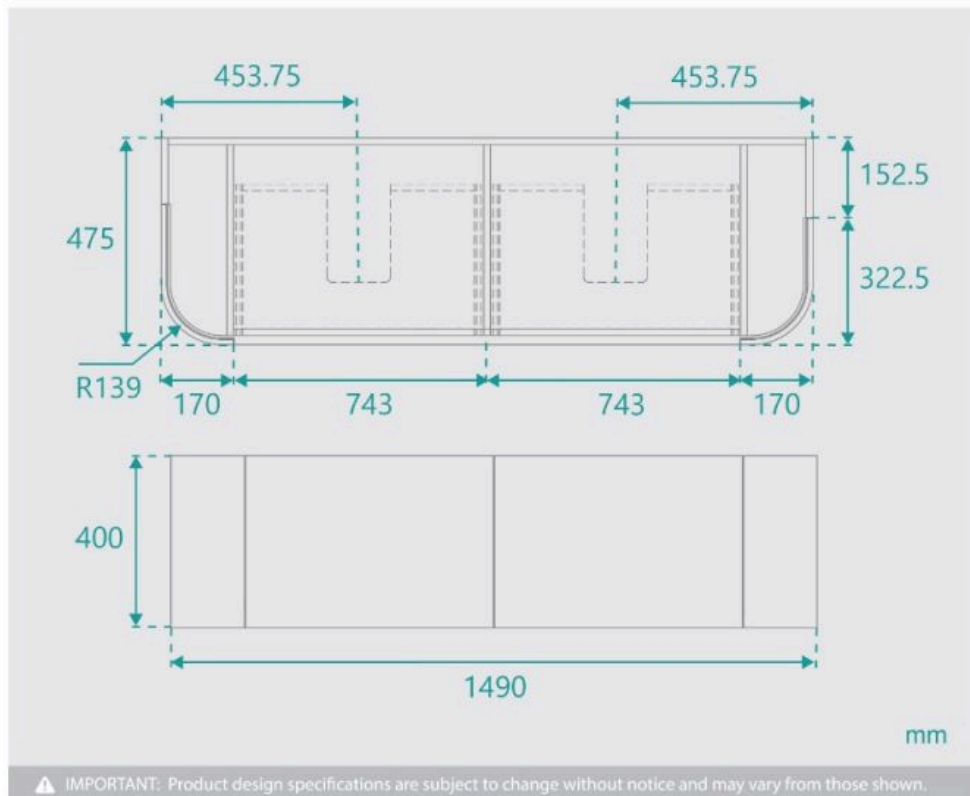
The exterior of the vanity is clad in natural wood grain, making this fluted vanity an exceptional value for price. Featuring a LED sensory light that activates when opening the two large push to open draw. Complete the look by selecting from our range of ceramic above counter basins in a range of shapes and styles to suit your bathroom aesthetic.

With two push to open side curve doors that include internal shelves and small drawers available in the main draw face, no space is wasted in this deluxe vanity that will assist with your everyday bathroom needs. Constructed in moisture resistant Plywood & MDF, this wall mounted vanity brings a calming and welcoming ambience to your bathroom space.

**Please note that stone and timber samples may differ from the actual product due to natural variations and batch differences. Colours displayed online may appear different due to screen settings. Standard stone and timber benchtops are supplied without holes, allowing for installation flexibility. Custom stone benchtop orders will be dispatched within 15 business days. For ceramic products, specifications must allow +/- 10 mm tolerance for manufacturing variance, it is recommended to use measurements of the actual product received.*







 Joslin 1500 Matte White Cabinet

| J-2110