

## SALINI Digital Oven

SKU#: SOB-1002H

From **\$699**

### WARRANTY OPTIONS



Length: 595mm

Width: 575mm

Height: 595mm

Finish: Black Glass with Chrome Handles & Metal Knobs

Appliance: Electric Fan Forced Oven, Digital Display

Configuration: 65L, 7 Function, Triple Glazed Door

Certification: AU Standard, SAA Compliant #SAA-161596-EA

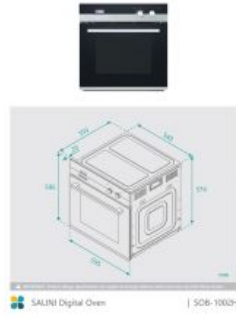
Warranty: 2 Years Parts & Labour

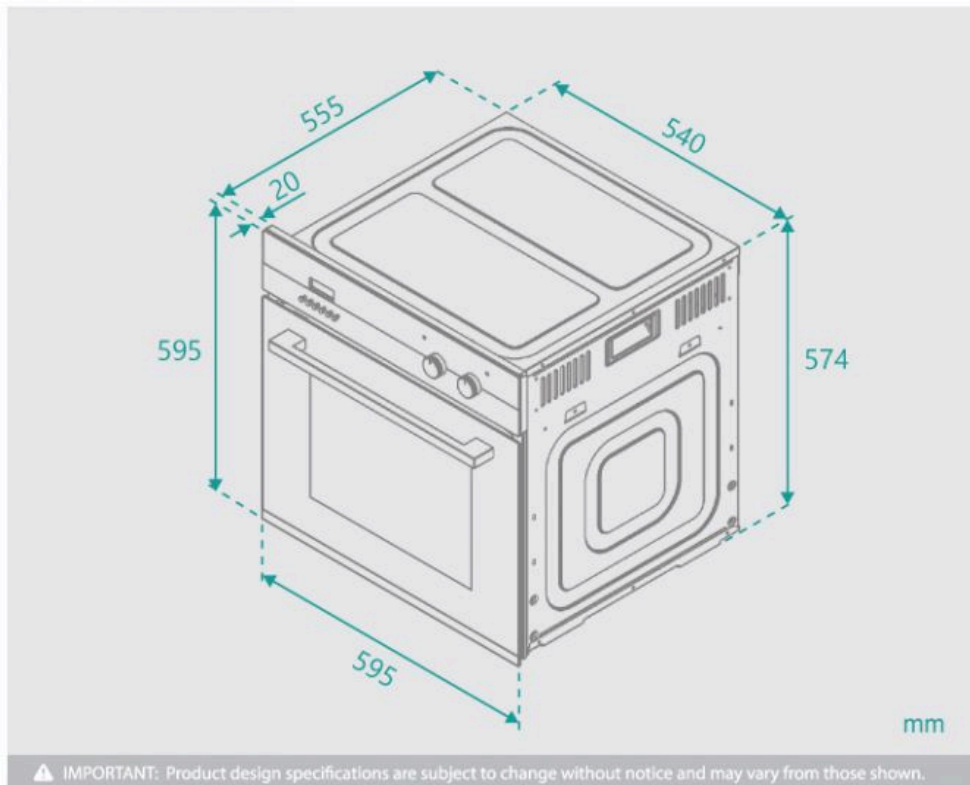
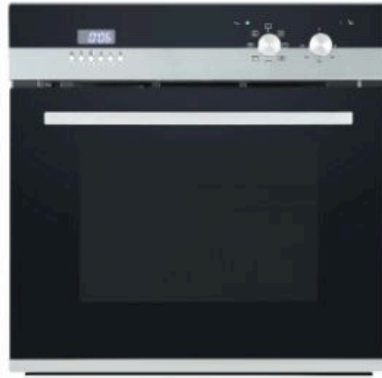
This digital oven features the Salini streamlined signature look, with stylish black glass and an elegant white LED display. Comprising of 7 different functions, the digital oven has conventional and fan forced settings, as well as defrost and grill.

The digital minute minder allows you to set the duration of your cooking time, or program in the time you require the oven to turn off. The cooling fan assists the oven in cooling down quickly and the triple glazed door is designed to help retain the heat during cooking as well as reducing the risk of burns and injuries.

Find our more about our appliance [Product Protection Plan](#), or download the [Information Booklet](#).







 SALINI Digital Oven

| SOB-1002H