



SALINI Retractable Rangehood 600

SKU#: SRR-6222W

\$134.10

~~€149~~

WARRANTY OPTIONS



Length: 600mm

Width: 280-430mm

Height: 176mm

Finish: Stainless Steel Front

Configuration: 2 Speeds, 440m³/h with Retractable Rangehood Shelf

Certification: AU Standard, SAA Compliant #SAA-161594-EA

Warranty: 2 Years Parts & Labour

The Salini Retractable Rangehood is designed to help you create a minimalistic looking kitchen, designed specifically to be installed under overheads or behind cabinets to remain mostly hidden. Finished with a stainless steel front, this retractable rangehood is streamlined and elegant. To turn on the range hood, simply pull out the retractable shelf and the light and fan switch on. After use, the rangehood conveniently tucks away, the ideal option for simplicity and style.

The mesh filter is dishwasher safe for easy and convenient cleaning.

Find out more about our appliance [Product Protection Plan](#), or download the [Information Booklet](#).

FAQs:

What is a retractable rangehood?

A rangehood is designed to extract smoke, gas, steam and odours from a cooking space to allow for a fresher and cleaner atmosphere. A retractable rangehood fits in above your cooktop and can be tucked away and pulled out only when needed.

Why buy a retractable rangehood?

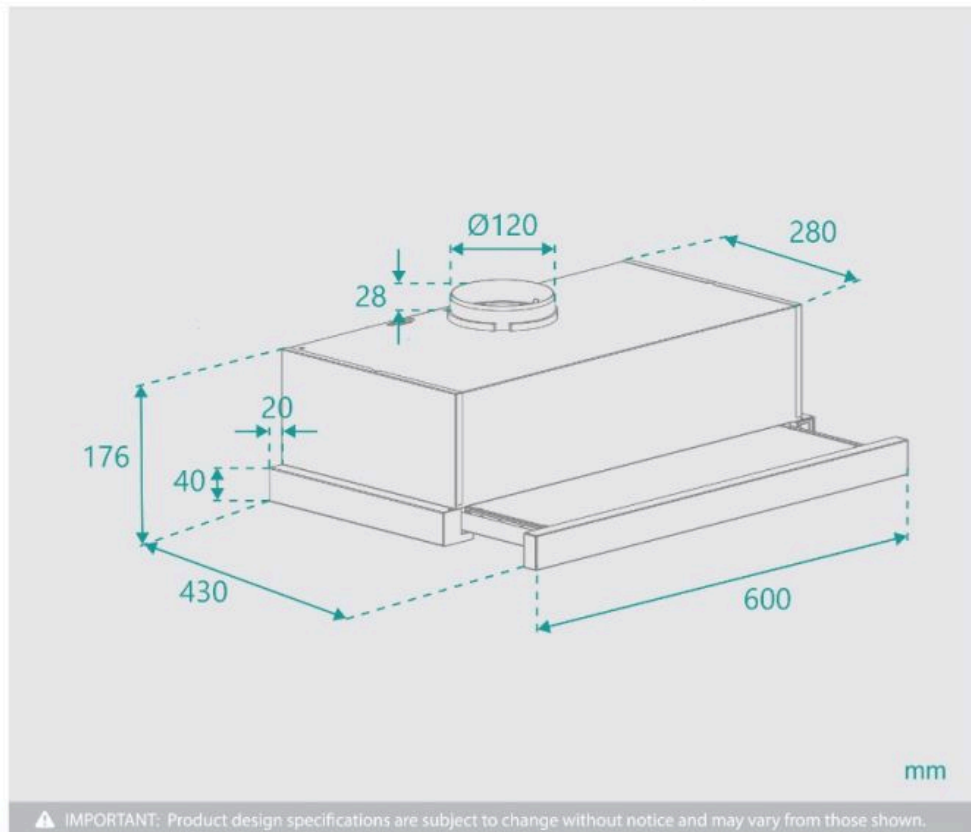
Retractable rangehoods are ideal for smaller kitchens, where being able to 'hide-away' bigger functional pieces is of benefit. A retractable rangehood can also be suitable for a minimalist kitchen design where you wish to have the look of overhead cupboards along the top of your cooktop instead of the look of a wall mounted rangehood..

Things to consider when buying a rangehood

Sourcing a rangehood that is the right size for your cook-top is the first step. You also need to ensure that the unit itself will fit into the space above your cook-top. Make sure you accurately measure both of these things before deciding on your purchase. You'll also need to decide whether you want a ducted rangehood or one that will recycle the air back into your kitchen. A ducted rangehood is the most effective solution, however this option is not always suitable due to the extra work and space required to install.

If you have a particularly tall ceiling then you may also need to consider a flue extension.





 SALINI Retractable Rangehood 600

| SRR-6222W