



Palazzo 600 Wall Mounted Matte White Vanity

SKU#: J-2116

From **\$505**

~~\$505~~

BENCHTOP OPTION



BASIN OPTION



Standard Basin Size: 480mm x 345mm x 135mm*

Standard Stone Size: 600mm x 520mm x 20mm*

Cabinet Size: 580mm x 505mm x 560mm

Cabinet Finish: Matte White

Stone Top Standard 20mm: White Pepper, Midnight Black, Concrete Grey, Venato Bianco

Stone Top Custom 40mm: Snow, Jet Black, Raw Concrete

Timber Top 40mm: Timber Ash Natural, Timber Ash Walnut

Basin: Ceramic

Handle: Fingerpull

Configuration: Two soft close drawers (U-shape cut out in top draw only)

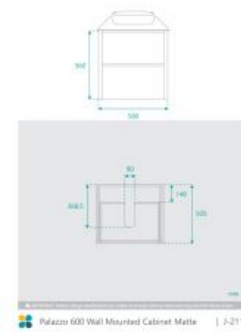
Warranty: 2 Year Product Warranty

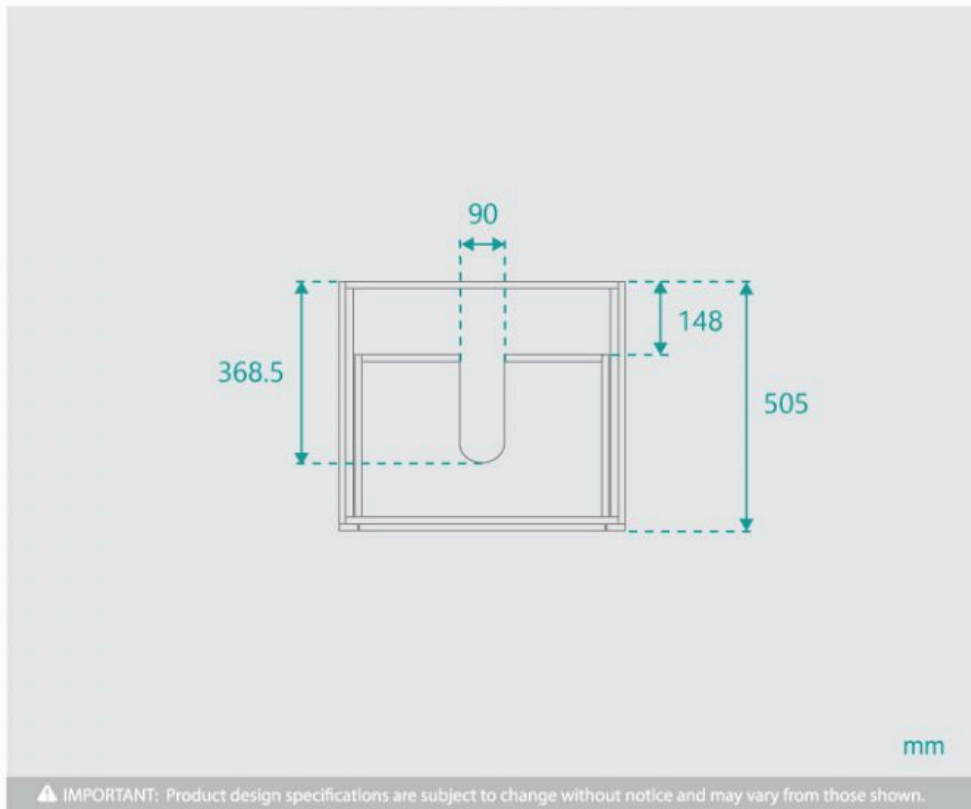
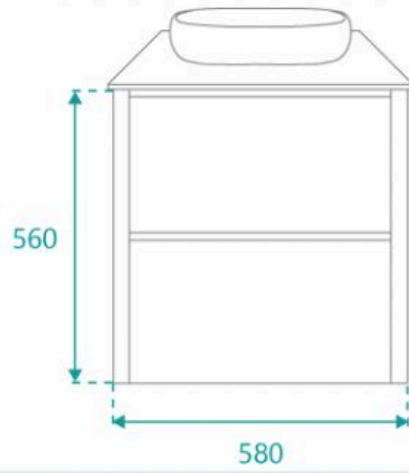
***Selecting different options may change these dimensions, please refer to the specification images.**

Upgrade your bathroom space with the 600mm Palazzo wall mounted matte white vanity. Featuring two soft closing drawers, and finger pull handle function this wall mounted vanity offers the ultimate in modern styling. The 600mm wall mounted vanity units presents a soft to touch matte white cabinet finish. Complete the look, our compact wall hung vanity can be suited to our range of stone or timber top options to suit your bathroom aesthetic.

Tap and waste fittings shown in the photos are for illustration purposes only and are sold separately, add them to your order to complete your look.

*Please note that stone and timber samples may differ from the actual product due to natural variations and batch differences. Colours displayed online may appear different due to screen settings. Standard stone and timber benchtops are supplied without holes, allowing for installation flexibility. Custom stone benchtop orders will be dispatched within 15 business days. For ceramic products, specifications must allow +/- 10 mm tolerance for manufacturing variance, it is recommended to use measurements of the actual product received.





Palazzo 600 Wall Mounted Cabinet Matte

| J-2116