



Shower / Floor Grate Tile Insert Waste 100 Outlet 115 x 115 Black

SKU#: G-0018

\$69

Installed Size: 115mm x 115mm x 47.5mm

Waste: 100mm outlet

Construction: Stainless Steel Black

Configuration: Centre drain outlet & removable tile insert

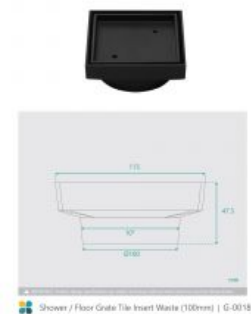
Tile Insert: 13mm, can accommodate most floor tiles. This will vary depending on individual installation

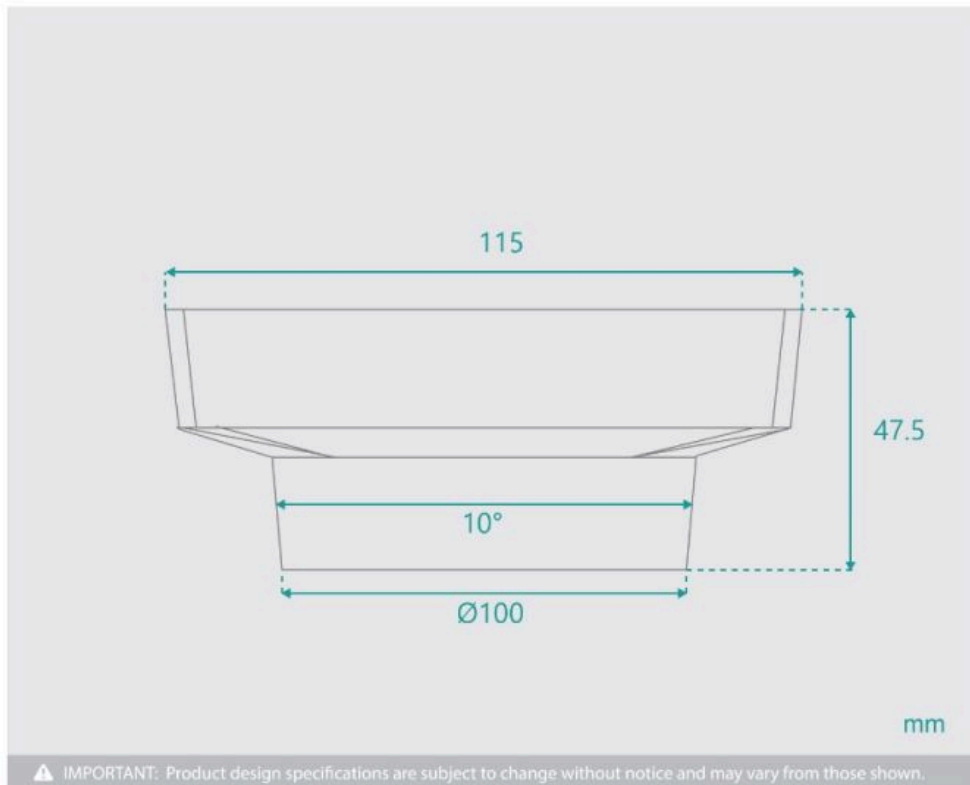
Accreditation: AU Standard & Watermark

Warranty: 5 Year Product Warranty

This square tile insert floor waste in black has a 100mm outlet that is great for showers to provide quick flow drainage. This floor waste has a large drain and is made from marine grade stainless steel for durability and corrosion resistance.

This floor waste features a bermuda style waste to be used as a shower grate and can also be utilized in an indoor or outdoor wet area such as in the of your bathroom, laundries, landscaping, pool surrounds or any other area to provide excellent drainage for overflow water. Installed with the correct fall, this can make wet areas around your home safer and easier to maintain. The black square shower grate comes fitted with a removable grate to allow for easy cleaning & maintenance.





 Shower / Floor Grate Tile Insert Waste (100mm) | G-0018