



BLACKOUT
SALE



Eleanor Shower/Bath Handheld Head with Bracket Black

SKU#: S-2040

\$103.20

~~€129~~

HANDHELD SHOWER 3 FUNCTION UPGRADE

Handheld Size: 27.6mm x 184mm

Hose Length/Reach: 1500mm

Construction: Brass (With ABS Handheld)

Finish: Matte Black

Water Inlet: Internal

Accreditation: AU Standard, WELS 8L/min 3 Star and Watermark

WELS Registration: S02502

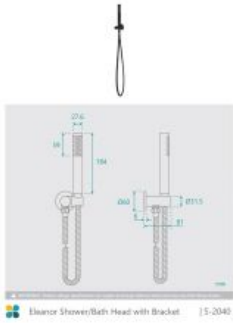
Warranty: 7 Year Product Warranty

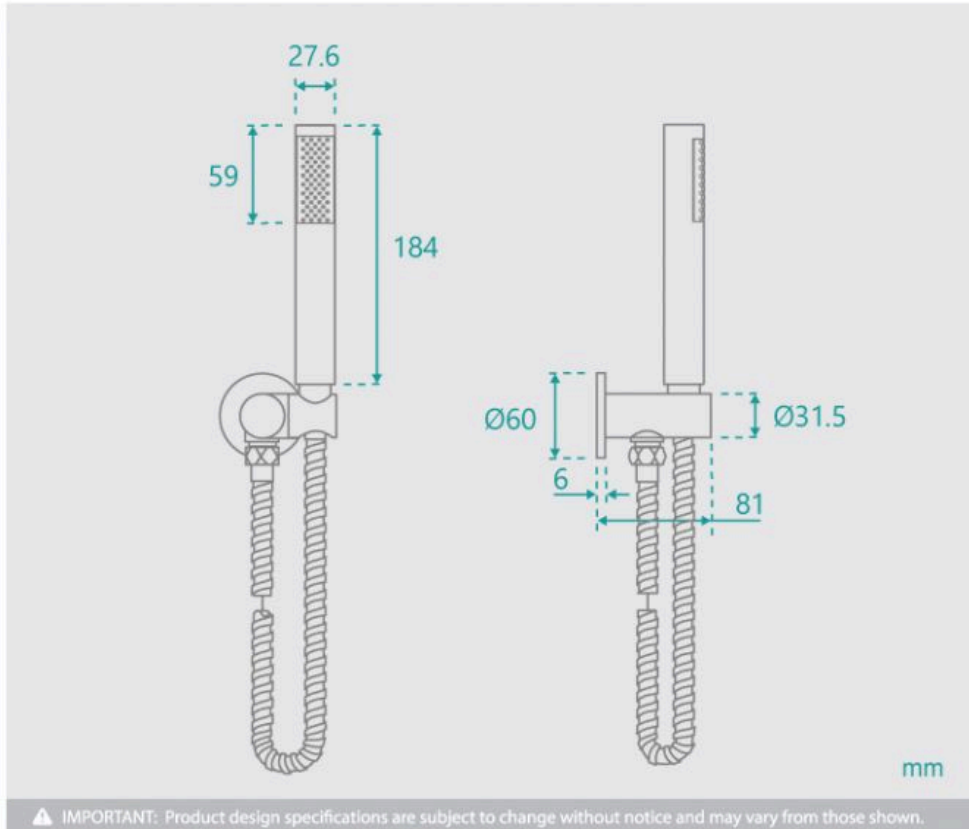
The stunning Eleanor Round Shower head with bracket brings beauty and style to the bathroom. This round handheld head will suit a shower or bath application. The Eleanor is perfect for the whole family offering a luxurious hand held shower/bath that can be removed from the wall bracket for added convenience and a more minimalist look.

Mixers/Diverters can be purchased separately from our store.

Also available with square design.







Eleanor Shower/Bath Head with Bracket

| S-2040