



Care Back To Wall Toilet Suite

SKU#: TS-2015

\$806.55

~~\$849~~

TOILET BUTTON OPTION



CARE TOILET SEAT UPGRADE



ADDITIONAL ACCESSORIES



Length: 800mm

Width: 385mm

Height: 870mm

Seat & Lid: Superior Hardened, UF Disable Seat Cover

Flush: R&T Universal (top or bottom inlet), Dual flush button - 4.5 Lt per flush, 3 Lt per half flush, 3.3 Lt average flush

Pan: Rimless Hygiene

Features: Can be installed to comply with AS1428.1

Accreditation: AU Standard WMK, WELS 4 Star rated

WELS Registration: L06898

Warranty: 7 Year Product Warranty*

The Care Back To Wall Toilet is a stylish and impressive toilet suite, featuring a streamlined, rimless design and gloss white finish. This toilet can be installed to comply with AS1428.1 and used as an ambulant toilet for residential and commercial properties. The toilet is available with a blue seat and blue button to assist people with vision impairment. The long projection and extended height of the pan allow for easy wheel chair access.

The rimless design combined with a direct flush technique provides a more efficient clean, stopping the build-up of grime, bacteria and limescale that would be found in toilets with a rim. Its design is unique and an additional statement piece for your bathroom.

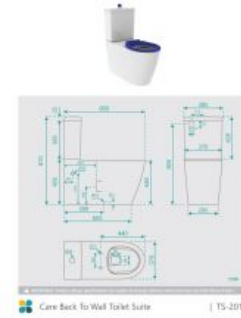
P Trap - 180mm

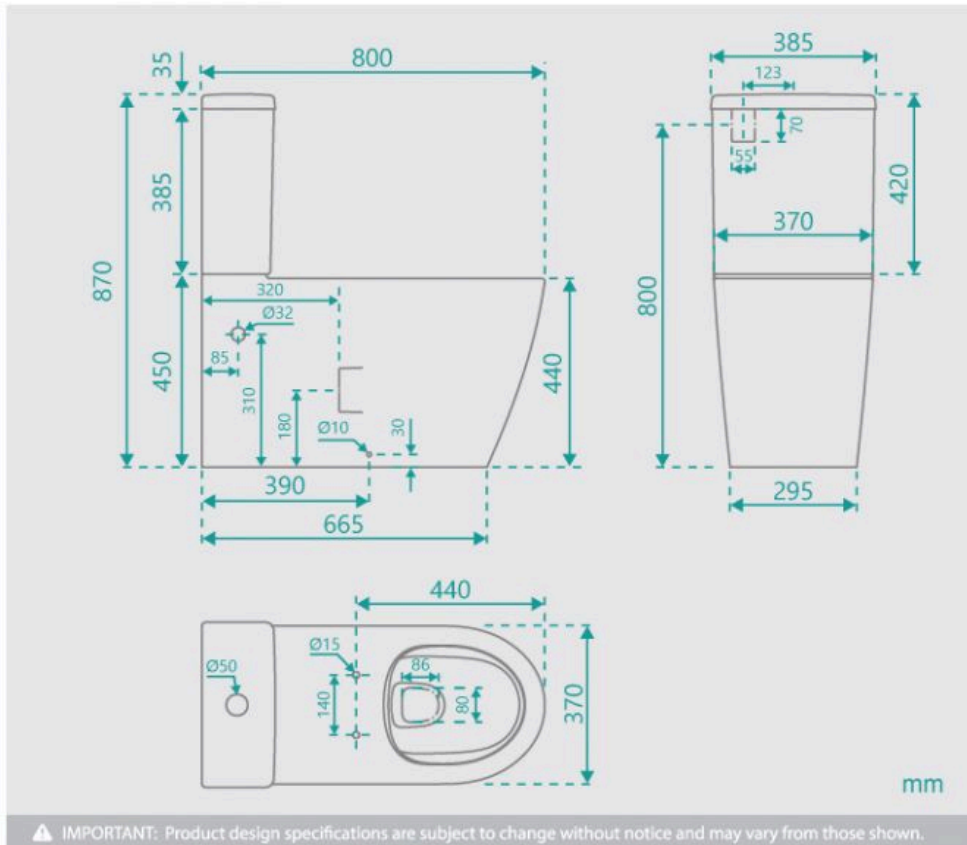
S Trap - 140-290mm range P to S Trap converter (included)

See item image for specification information

* inwall cisterns, valves, seats, button assembly, links, flush pipes and other internal components which carry a 3 year replacement warranty.

*Please note that for ceramic products, specifications must allow +/- 10 mm tolerance for manufacturing variance, it is recommended to use measurements of the actual product received. Colours displayed online may appear different due to screen settings.





Care Back To Wall Toilet Suite

| TS-2015